



BA63GV

BEETLE /FUSION Customer Display

Operating Manual

The reproduction, transmission or use of this document or its contents is not permitted without express authority.
Offenders will be liable for damages.
All rights, including rights created by patent grant or registration of a utility model or design, are reserved.
Delivery subject to availability; technical modifications possible.

Copyright© Wincor Nixdorf International GmbH, 2010

BA63GV
BEETLE /FUSION Customer Display

Operating Manual

Edition Jun 2010

Contents

Manufacturer’s Certification	1
Tested Safety	1
FCC-Class A Declaration	2
BSMI (EMC for Taiwan)	2
Introduction.....	2
Symbols used in this guide.....	2
Important safety precautions	3
Installation notes	3
General safety precautions	3
Installation.....	5
Removing the packaging.....	5
Installing customer display onto panel PC module.....	6
Configuring the Device	9
Specifications	11

Manufacturer's Certification



The device complies with the requirements of the EEC directive 2004/108/EC with regard to “Electromagnetic compatibility” and 2006/95/EC “Low Voltage Directive”.

Therefore, you will find the CE mark on the device or packaging.

Tested Safety



The BEETLE /FUSION has been provided with the symbol for “Tested Safety”.



In addition, the device has received the UL symbol and cUL symbol.

This product is intended to be Listed Accessory, supplied by a UL Listed product, POS Terminal model BEETLE series.

FCC-Class A Declaration

This equipment has been tested and found to comply with the limits for a Class A digital device, pursuant to part 15 of the FCC Rules. These limits are designed to provide reasonable protection against harmful interference when the equipment is operated in a commercial environment. This equipment generates, uses, and can radiate radio frequency energy and, if not installed and used in accordance with the instruction manual, may cause harmful interference to radio communications.

Operation of this equipment in a residential area is likely to cause harmful interference in which case the user will be required to correct the interference at his own expense. Modifications not authorized by the manufacturer may void user's authority to operate this device. This class A digital apparatus complies with Canadian ICES-003.

Cet appareil numérique de la classe A est conforme à la norme NMB-003 du Canada.

BSMI (EMC for Taiwan)



The device complies with the requirements of the BSMI (Bureau of Standards, Metrology and Inspection, Ministry of Economic Affairs) directive CNS14348 with regard to "Electromagnetic compatibility" with the limits for a Class B product.

Introduction

This operating manual provides you with the information you require to install the customer display unit onto the Beetle /Fusion system.

Symbols used in this guide

- Text following this mark represents an item in a list.

“ “ Text in quotation marks contains references to other chapters or sections in this document.

• Paragraphs following this symbol are actions to be performed in the specific order.



Text following this symbol has to be given special attention in order to avoid damage or injury.



This symbol identifies paragraphs which contain general notes to facilitate use of the device and help avoid operating errors.

Important safety precautions



Please read the following notes carefully before doing any work on the device.

Installation notes

- When installing the device and/or doing any work on it, make sure that it is disconnected from the power.

General safety precautions

This device complies with the relevant safety regulations for information processing equipment.

- Note the warning and information labels on the device.
- The device is equipped with a safety-tested power cable, which must be connected only to a grounded outlet.
- Always hold the plug when removing the power cable. Never pull the cable itself.
- Have damaged power cables replaced immediately.
- If the display element is damaged and the liquid crystal solution leaks out onto your hands or clothing, please wash your hands or clothing immediately under running water for at least 15 minutes, using soap or alcohol. If the liquid comes into contact with your eyes, consult a medical doctor immediately.
- Make sure that there is always free access to sockets used or to the electrical circuit-breakers of the house installation.

- In case of an emergency (e.g. damaged cabinets, control or power cables, liquids or foreign objects in the device), switch off the device immediately and inform the customer service responsible for you.
- During the thunderstorm, data transmission lines must not be connected or disconnected.
- Only use accessories and extension components that have been approved by us. Nonobservance can result in damage to the system or violations of regulations concerning safety, radio interference and ergonomical requirements.
- To clean the device only use cleaning agents approved by Wincor Nixdorf International GmbH.

Repairs



Repair work may only be carried out by authorized personnel.

Unauthorized opening of the device or repair work carried out improperly could result in considerable danger to the user.

In case of noncompliance Wincor Nixdorf International GmbH excludes all liability.

Installation

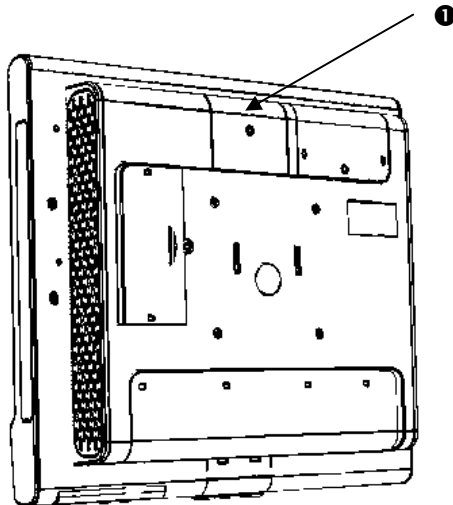
This chapter describes the steps to be taken to install the customer display unit onto the system.

Removing the packaging

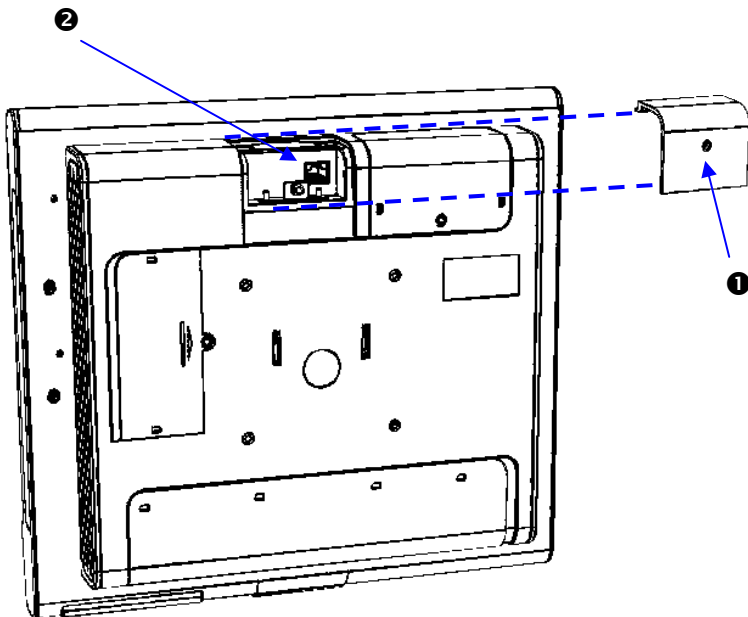
- Remove the packing material of the system or the modules ordered.
- Dispose of the packaging which is no longer needed according to the regulations of your country.

Installing customer display onto panel PC module

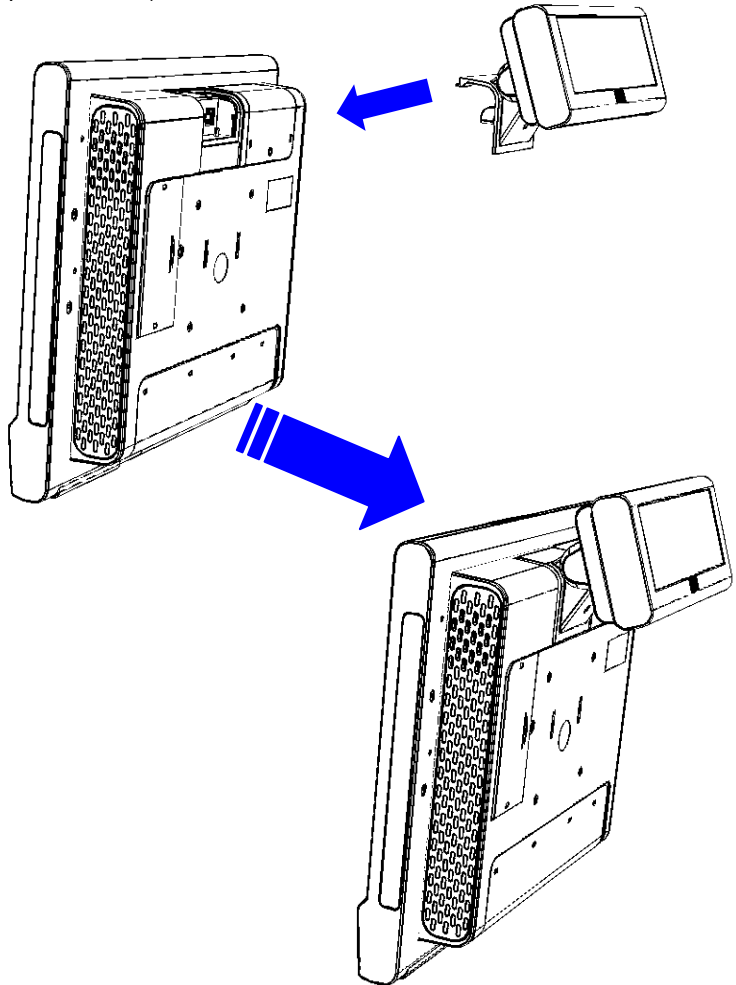
- Remove the screw ❶ to remove the cover from the panel PC (see picture below).



- Remove the M3 nuts to detach the dummy bracket from the system and install the bracket that comes with customer display kit ❶, plug in the RJ45 connector from the customer display unit onto the connector slot of the panel PC ❷ (see picture below).

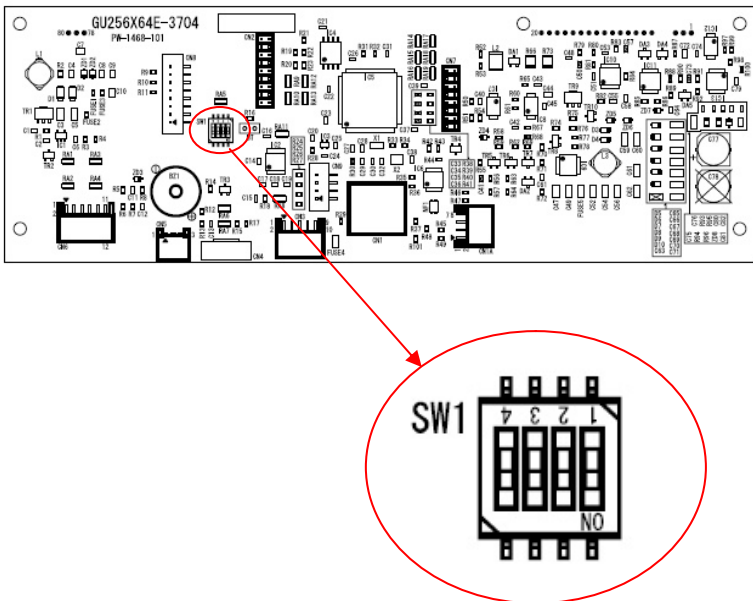


- Ensure the mounting of the customer display unit is aligned with the mounting slot of the panel PC. Click the customer display unit onto the Panel PC and tighten the screw to secure the module (see picture below)



Configuring the Device

The device can be configured as a RS232C or USB interface by setting the DIP switches as shown in the drawing below:



Dip-switch (SW1)	S4	S3	S2	S1
RS232C	Off	Off	Off	Off
USB	Off	Off	Off	ON
Undefined	Off	Off	ON	Off
Undefined	Off	Off	ON	ON
Undefined	Off	ON	Off	Off
Undefined	Off	ON	Off	ON
Undefined	Off	ON	ON	Off
Undefined	Off	ON	ON	ON
Self-test	ON	Off	Off	Off

Specifications

General

Model Name BA63GV

Technology

Vacuum Fluorescence Display, 256x64

Electrical

Voltage 12± 10%

Current 800 mA (maximum)

Interface

Type RS232 & USB 2.0

Transmission speed Default = 9600bps, up to 115.2K bps (f or RS232)
Full-speed, 12Mbps (for USB)

Character size

Character cell (W x H): 8 x16 and 16x16

	ASCII	DBCS	Thai
Height	6.60 mm	8.25 mm	10.45 mm
Width	3.85 mm	8.25 mm	4.40 mm
Row x Char	4 x 32	4 x 16	3 x 32

Character set

Built-in IBM437 + international characters

Downloadable Up to 8 character sets

Environmental

Operating	+5 to +40°C,
Transport	-25 to +60°C,
Storage	+5 to 40°C,

Certifications

EMC	CE
Product Safety	CB, UL, GS-TUV

Published by
Wincor Nixdorf Pte Ltd
2, Kallang Sector
Singapore 349277

Part No.: **01750194450 B**