

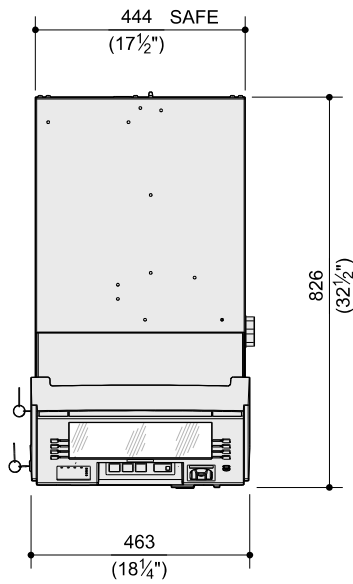
CONSULT WITH DIEBOLD INSTALLATION/SERVICE BRANCH FOR ADDITIONAL DETAILS AND INFORMATION. PLEASE SEE PLANNING AND SITE PREPARATION GUIDE TP-821762-001.

CONSUMER ACCESS DIMENSIONS

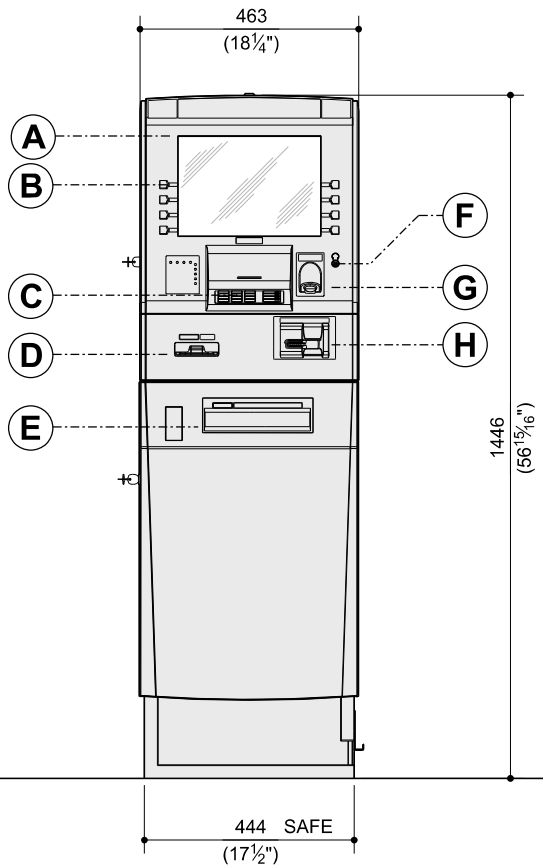
	HEIGHT	DEPTH
A TOP OF DISPLAY	1360mm (53 ¹ / ₂ ")	135mm (7 ¹ / ₄ ")
B TOP FUNCTION KEY	1257mm (49 ¹ / ₂ ")	92mm (3 ⁵ / ₈ ")
C KEYPAD ("5" KEY)	1010mm (39 ¹ / ₁₆ ")	78mm (3 ¹ / ₁₆ ")
D RECEIPT PRINTER	897mm (35 ⁵ / ₁₆ ")	0
E ActivDispense	750mm (29 ¹ / ₂ ")	0
F HEADPHONE JACK	1090mm (43")	37mm (1 ¹ / ₁₆ ")
G FINGER PRINT READER	1037mm (40 ¹³ / ₁₆ ")	28mm (1 ¹ / ₈ ")
H CARD READER	918mm (36 ¹ / ₈ ")	0

**HEIGHT - FROM BOTTOM OF SAFE
DEPTH - FROM FRONT EDGE OF FASCIA**

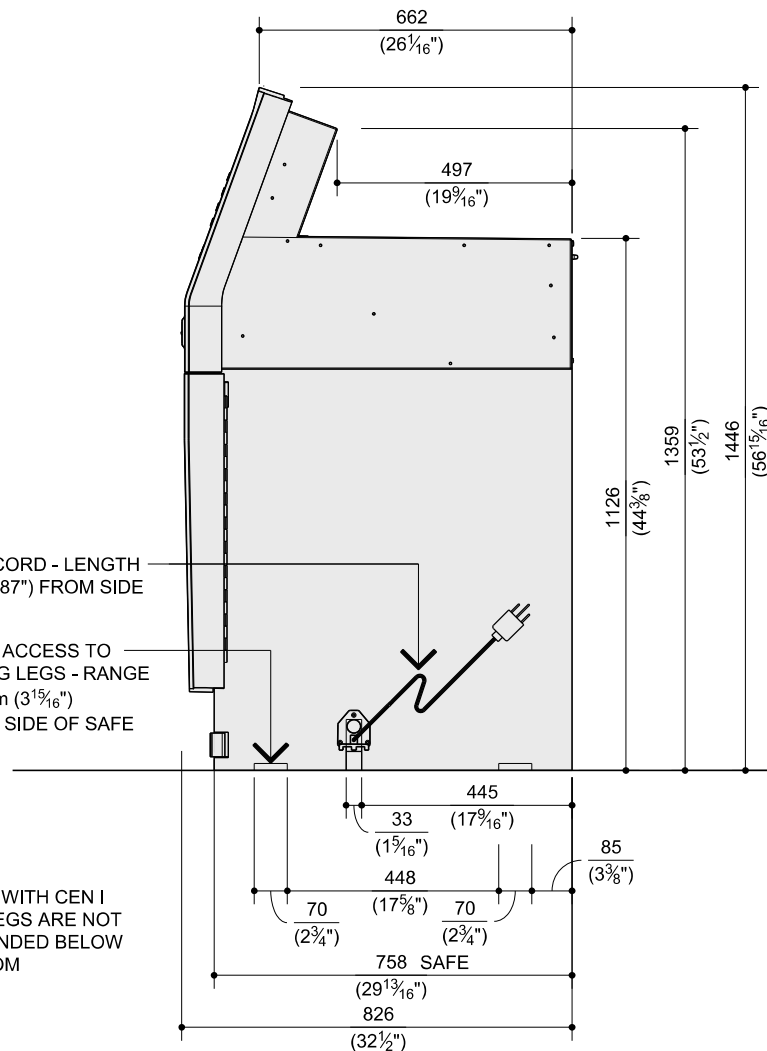
DIMENSIONS IN MILLIMETRES
(DIMENSIONS IN INCHES)



PLAN VIEW



FRONT VIEW



SIDE VIEW

POWER CORD - LENGTH 2210mm (87") FROM SIDE OF UNIT

* TYPICAL ACCESS TO LEVELING LEGS - RANGE 0 - 100mm (3¹/₁₆") (2) EACH SIDE OF SAFE

* TO COMPLY WITH CEN I LEVELING LEGS ARE NOT TO BE EXTENDED BELOW SAFE BOTTOM

CONDUIT AND JUNCTION BOX REQUIREMENTS

- 1 25mm (1") METAL CONDUIT FROM ALARM CONTROL CABINET JUNCTION BOX TO 102mm (4") SQ. X 54mm (2 1/4") DP. JUNCTION BOX (ALL BY OWNERS E.C.), DIEBOLD TO PROVIDE FLAT COVER WITH TAMPER SWITCH.
- 2 WHEN "SECUROMATIC" AFTER HOUR DEPOSITORY IS TO BE CONNECTED TO CASH DISPENSER, OWNERS E.C. TO RUN 19mm (3/4") METAL CONDUIT FROM 102mm (4") SQ. X 54mm (2 1/4") DP. JUNCTION BOX TO AFTER HOUR DEPOSITORY.
- 3 OWNERS E.C. TO RUN 19mm (3/4") LIQUID TIGHT FLEX METAL CONDUIT OR 19mm (3/4") RIGID CONDUIT FROM JUNCTION BOX TO CABLE CONNECTING PLATE.
- 4 19mm (3/4") METAL CONDUIT AND UNSWITCHED ELECTRICAL SUPPLY TO 102mm (4") SQ. X 54mm (2 1/4") DP. JUNCTION BOX WITH RECEPTACLE WITHIN 2210mm (87") OF SIDE CONNECTING PLATE. BOTTOM CONNECTION MUST BE COMPENSATED ACCORDINGLY (ALL BY OWNERS E.C.) (SEE POWER REQUIREMENTS).
- 5 OWNERS E.C. TO SUPPLY COMPATIBLE RECEPTACLE FOR COUNTRY SPECIFIC PLUG-IN CONNECTOR SUPPLIED WITH UNIT. POWER CORD LENGTH 2210mm (87") FROM SIDE OF UNIT.

NOTE:

JUNCTION BOXES MUST BE LOCATED WITHIN 2210mm (87") OF CONNECTING PLATE. (LENGTH OF ELECTRICAL POWER CABLE PROVIDED WITH UNIT), LOCATE IN AN EASILY ACCESSIBLE AREA.

BOXES CAN BE FLUSH MOUNTED WITH CONCEALED CONDUIT FOR NEW CONSTRUCTION OR BOXES CAN BE SURFACE MOUNTED WITH EXPOSED CONDUIT FOR EXISTING CONSTRUCTION.

POWER REQUIREMENTS

THE CASH DISPENSER REQUIRES A SINGLE-PHASE, THREE-WIRE UNSWITCHED POWER RECEPTACLE. WIRING TO THE RECEPTACLE MUST INCLUDE A THIRD-WIRE EARTH GROUND (CONDUIT GROUND IS NOT ACCEPTABLE). THE CASH DISPENSER WILL PROVIDE A POWER CORD WITH A COUNTRY SPECIFIC POWER PLUG. THE POWER SUPPLIED MUST BE AS SPECIFIED BELOW.

CHOOSE AND SUPPLY THE PROPER POWER FOR THE SITE:

- 100-127 VAC (+6%, -10%) AT 50 (±1%) Hz, SINGLE-PHASE
- 100-127 VAC (+6%, -10%) AT 60 (±1%) Hz, SINGLE-PHASE
- 200-240 VAC (±10%) AT 50 (±1%) Hz, SINGLE-PHASE
- 200-240 VAC (±10%) AT 60 (±1%) Hz, SINGLE-PHASE

POWER TO THE CASH DISPENSER MUST BE A DEDICATED SERVICE AND PROTECTED BY A SAFETY QUICK-DISCONNECT DEVICE TO BREAK LINE VOLTAGE (SUCH AS A CIRCUIT BREAKER AT THE ELECTRICAL SERVICE PANEL, THE QUICK-DISCONNECT DEVICE (OR CIRCUIT BREAKER) MUST TURN OFF THE LINE VOLTAGE AT THE FOLLOWING AMPERAGE.

- 100-127 VAC (+6%, -10%) SERVICE, DISCONNECT AT 15 AMPERES
- 200-240 VAC (-10%) SERVICE, DISCONNECT AT 10 AMPERES

THE MODULE BULK POWER SUPPLY AND PROCESSOR POWER SUPPLY WILL PROVIDE POWER CONDITIONING TO PREVENT THE TERMINAL FROM MALFUNCTIONING DUE TO SHORT-TERM AC POWER FLUCTUATIONS AS OUTLINED IN EN61000-4-11.

POWER USAGE

MACHINE STATUS	(A)	(A)
	WITH BATTERY CHARGING	
IDLE (NO TRANSACTION)	60 WATTS	85 WATTS
TRANSACTION (DISPENSE IN PROGRESS)	95 WATTS	120 WATTS

CONFIGURATION

- (A) ALL-IN-ONE PROCESSOR, MOTORIZED CARD READER, RECEIPT PRINTER, AND 4 CASSETTE DISPENSER.

THE POWER USE DEPENDS ON THE NUMBER AND TYPE OF DEVICES PRESENT IN THE CASH DISPENSER, AND THE TYPE OF TRANSACTION THE CASH DISPENSER IS PERFORMING. VALUES ABOVE ARE BASED ON MEASURED AVERAGES FOR THE CONFIGURATION LISTED.

HEAT OUTPUT CONFIGURATION

- (A) 205 BTU/HR IDLE
325 BTU/HR DISPENSING
- (A) WITH BATTERY CHARGING 290 BTU/HR IDLE
410 BTU/HR DISPENSING

OPERATING ENVIRONMENT

SAFE LOCATION 0°C TO 50°C (32°F TO 122°F)

* (REQUIRES SOLID STATE DRIVE (SSD) IN ActiVCore PROCESSOR. IF A HARD DISK DRIVE (HDD) DRIVE IS USED, THE MAX OPERATING TEMPERATURE IS REDUCED TO 40°C (104°F)

RELATIVE HUMIDITY (NON-CONDENSING)
20 TO 80% AT 32°C (90°F),
20 TO 55% AT 40°C (104°F)

WEIGHT OF UNIT

490kg (1080 LBS.) APPROXIMATE.

ACTUAL WEIGHT OF THE TERMINAL WILL DEPEND ON THE CONFIGURATION OF THE TERMINAL COMPONENTS AND OPTIONS

DIMENSIONS IN MILLIMETRES (DIMENSIONS IN INCHES)



SIGNAL CABLE RUN CONSTRAINTS

THE FOLLOWING CHART ITEMIZES THE PHYSICAL SPACING REQUIREMENTS OF THE SIGNAL CABLE RUN WITH RESPECT TO OTHER POWER AND ELECTRICAL EQUIPMENT CABLE RUN.

TYPE OF ELECTRICAL RUN	SEPARATION FROM OTHER CABLES		
	BELOW 2 KVA	2-5 KVA	ABOVE 5 KVA
FLUORESCENT, NEON OR INCANDESCENT LIGHTING FIXTURES	127mm (5")	127mm (5")	127mm (5")
UNSHIELDED POWER LINE OR ELECTRICAL EQUIPMENT	127mm (5")	305mm (12")	610mm (24")
UNSHIELDED POWER LINES OR ELECTRICAL EQUIPMENT WITH SIGNAL CABLES ENCLOSED IN GROUNDED CONDUIT	64mm (2 1/2")	152mm (6")	305mm (12")
POWER LINES IN GROUNDED CONDUIT WITH SIGNAL CABLES IN GROUNDED CONDUIT	30mm (1 1/8")	76mm (3")	152mm (6")

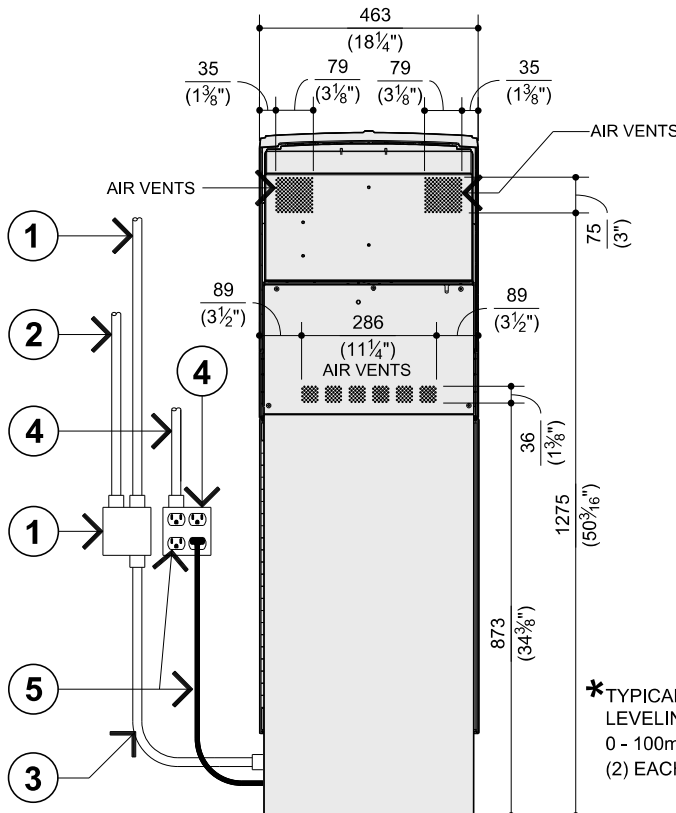
SIGNAL CABLE INSTALLATION CONSTRAINTS

RELATIVE CARE IS REQUIRED WHEN INSTALLING SIGNAL CABLES IN CONDUITS, UNLIKE POWER AND LIGHTING CABLE. SIGNAL CABLES HAVE SMALL CONDUCTORS AND LIGHT INSULATION AND WILL NOT WITHSTAND AS MUCH STRAIN IN INSTALLATION.

PAGE 2 OF 4

ALL DIMENSIONS AND DESIGN CRITERIA SUBJECT TO CHANGE WITHOUT NOTICE

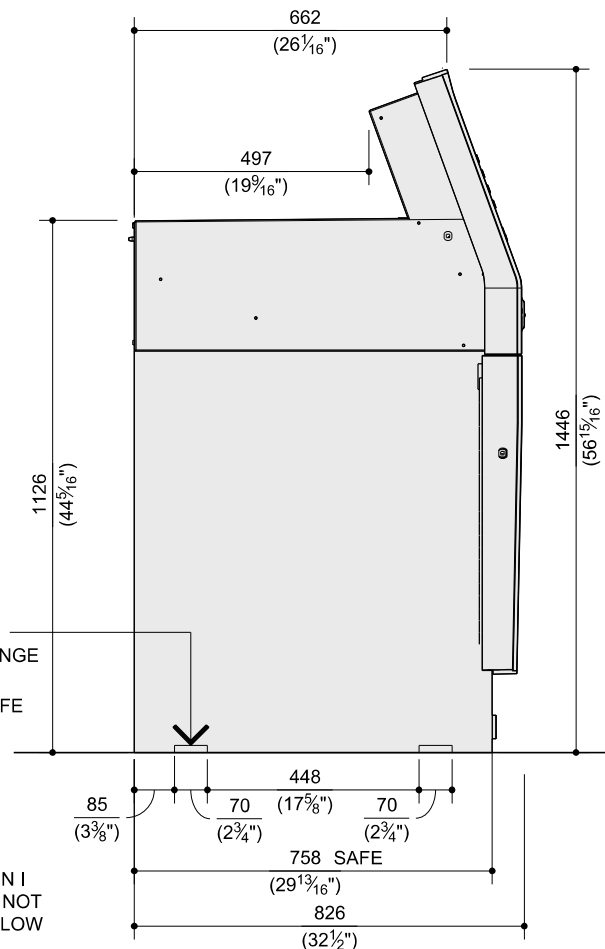
FILE NO. 177-674 REV. 0



REAR VIEW

* TYPICAL ACCESS TO LEVELING LEGS - RANGE 0 - 100mm (3 1/2") (2) EACH SIDE OF SAFE

* TO COMPLY WITH CEN I LEVELING LEGS ARE NOT TO BE EXTENDED BELOW SAFE BOTTOM



SIDE VIEW

CALL 1-800-999-3600

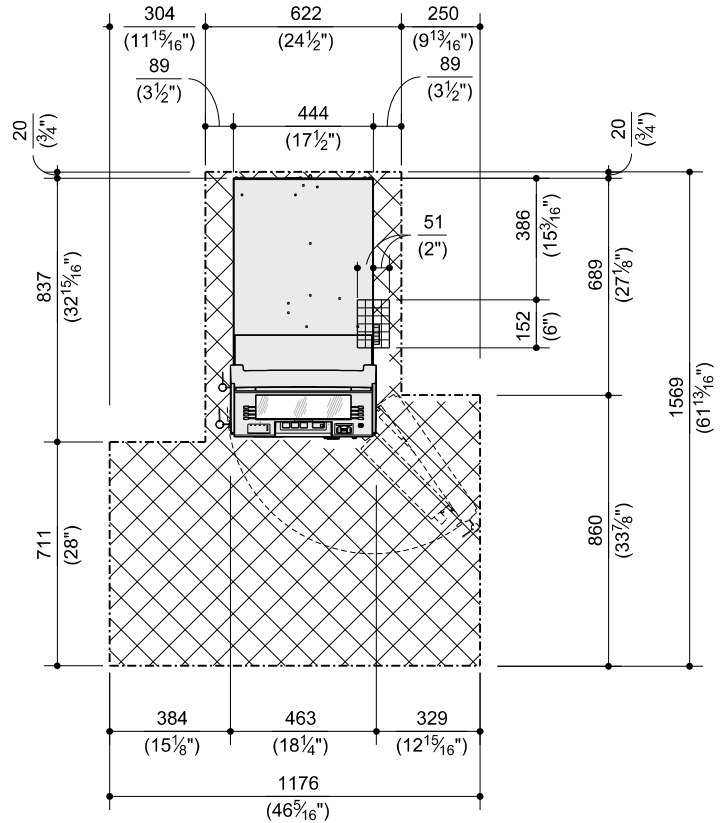
REQUIRED MINIMUM SERVICE AREA

DIMENSIONS IN MILLIMETRES
(DIMENSIONS IN INCHES)



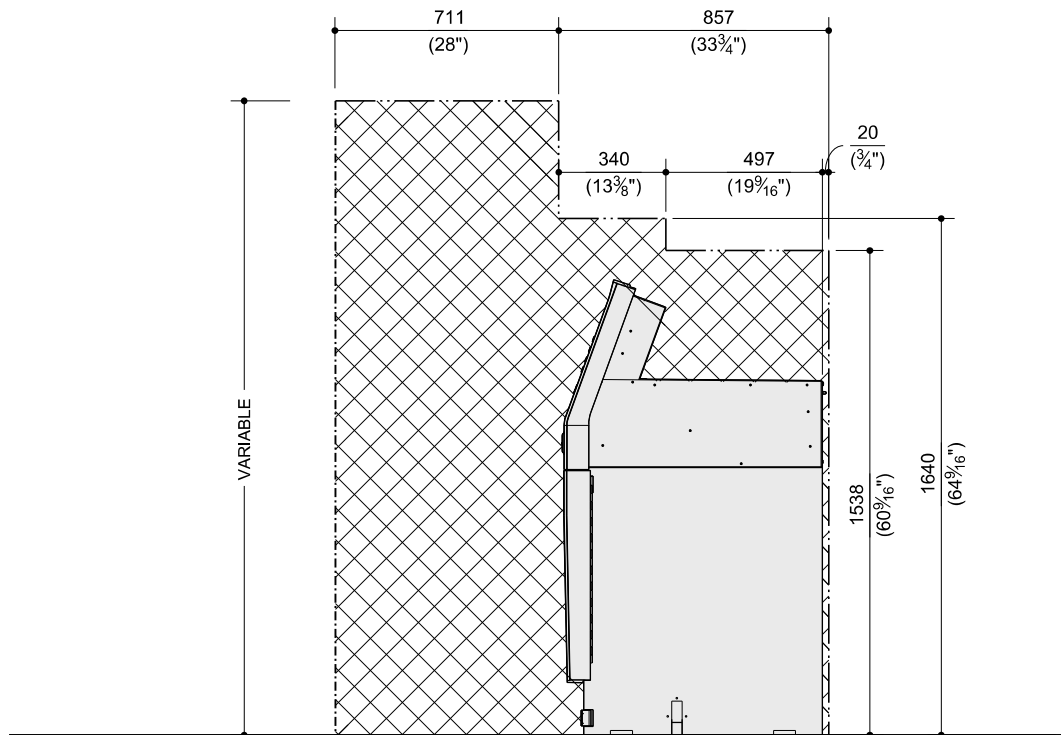
NOTE:
SHOWN IS THE REQUIRED MINIMUM AREA FOR INSTALLATION AND SERVICE. DIMENSIONS SHOWN MAY BE INCREASED WHEREVER POSSIBLE TO IMPROVE INSTALLATION AND SERVICE ACCESS. USE OF ANY AREA LESS THAN THE REQUIRED AREA MAY RESULT IN AN INCREASE IN INSTALLATION AND SERVICE TIME. CONSULT WITH DIEBOLD INSTALLATION/SERVICE BRANCH FOR SPECIAL BUILDING CONDITIONS.

- REQUIRED MINIMUM SERVICE AREA
- ALL ELECTRICAL AND DATA CABLES MUST ENTER UNIT IN THIS AREA



PLAN VIEW
(REQUIRED MINIMUM SERVICE AREA)

*ALL DIMENSIONS AND DESIGN CRITERIA
SUBJECT TO CHANGE WITHOUT NOTICE*



HEIGHT OF SPACE IN FRONT OF TERMINAL SHOULD ALLOW A PERSON TO STAND AND SERVICE THE TERMINAL

SIDE VIEW
(REQUIRED MINIMUM SERVICE AREA)

NOTES:

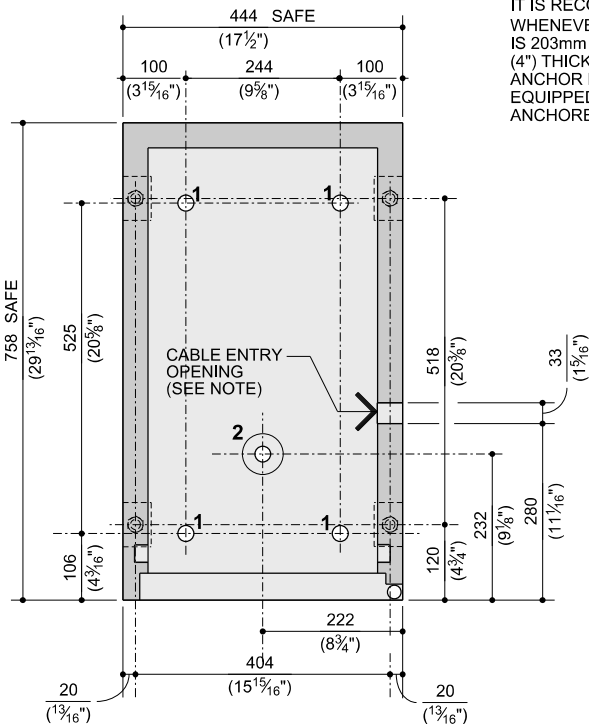
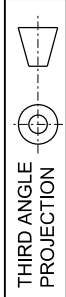
FOR ADDED SECURITY:

IT IS RECOMMENDED THAT THE CASH DISPENSER SAFE BE SECURED TO THE FLOOR WITH ANCHOR BOLTS. USE THE FOLLOWING GUIDELINES TO DETERMINE THE APPROPRIATE METHOD FOR YOUR INSTALLATION.

ANCHORING THE CASH DISPENSER TO CONCRETE FLOORS:

IT IS RECOMMENDED THAT THE CASH DISPENSER BE ANCHORED TO CONCRETE FLOORS WHENEVER POSSIBLE. DIEBOLD RECOMMENDS USING A M20 OR 19mm (3/4") ANCHOR BOLT THAT IS 203mm (8") LONG. CONCRETE FLOORS OR CONCRETE BASES MUST BE A MINIMUM OF 102mm (4") THICK FOR ANCHORING TO BE EFFECTIVE. THERE IS NO LIMIT FOR MAXIMUM THICKNESS. ANCHOR BOLTS MUST BE USED IN ALL AVAILABLE ANCHOR HOLES. IF THE TERMINAL IS EQUIPPED WITH LEGS, THE LEVELING LEGS MUST BE REMOVED BEFORE THE TERMINAL IS ANCHORED. REFER TO VIEW "A" AND "B" FOR ADDITIONAL DETAILS.

DIMENSIONS IN MILLIMETRES
(DIMENSIONS IN INCHES)



PLAN/SECTION SAFE FLOOR

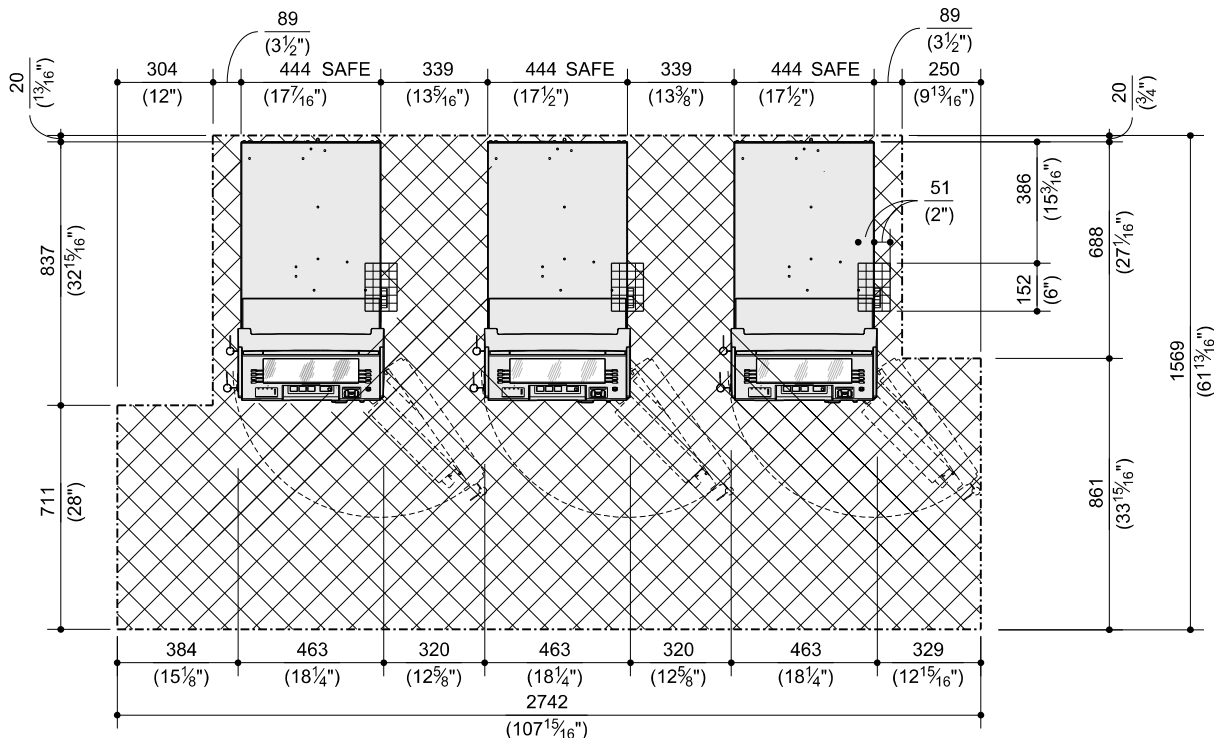
1- ANCHORING HOLES

- (4) 45mm (1 3/4") RECESS DIAMETER
- 18mm (1 1/8") RECESS DEPTH
- 25.4mm (1") THROUGH-HOLE-DIAMETER

2- SNAP-OFF DETECTOR

- (1) 65mm (2 9/16") RECESS DIAMETER
- 28mm (1 1/8") RECESS DEPTH
- 25.4mm (1") THROUGH-HOLE-DIAMETER

*ALL DIMENSIONS AND DESIGN CRITERIA
SUBJECT TO CHANGE WITHOUT NOTICE*



PLAN VIEW - ADJACENT UNITS
(REQUIRED MINIMUM SERVICE AREA)