

WINCOR
NIXDORF



iCORE Kiosk system

Installation Guide

The reproduction, transmission or use of this document or its contents is not permitted without express authority.
Offenders will be liable for damages.
All rights, including rights created by patent grant or registration of a utility model or design, are reserved.
Delivery subject to availability; technical modifications possible.

Copyright© Wincor Nixdorf International GmbH, 2008

iCORE Kiosk System

Installation Guide

Edition Feb 2009

Contents

Manufacturer’s Certification	1
Note on the laser	1
Laser safety	1
Introduction	2
Symbols used in this guide.....	2
Important safety precautions	3
Installation notes.....	3
General safety precautions	3
Device overview.....	5
Planning the Installation.....	6
Device dimensions.....	6
Required operation space	8
Required maintenance space.....	9
Installation site requirements.....	10
Installation	11
Unpacking the kiosk.....	11
Stability of the kiosk	12
Installing the base plate	13
Bolting the device onto the floor	16
Appendix.....	18
Technical data	18
Installation specifications	18
Environmental Conditions	18

Manufacturer's Certification



The device complies with the requirements of the EEC directive 2004/108/EC with regard to “Electromagnetic compatibility” and 2006/95/EC “Low Voltage Directive”.

Therefore, you will find the CE mark on the device or packaging.

Note on the laser

If your device is equipped with a CD-ROM drive, the following condition applies:

The CD ROM drive contains a light-emitting diode (LED), classified according to IEC 825-1:1993:LASER CLASS 1; it must not be opened.

Laser safety

The barcode scanner complies with safety standard EN60825-1 (2001) for a Class 1 laser product. It also complies with IEC 60825-1: 1993+1997+A2:2001. Laser Radiation – do not stare directly into beam.

Radiant Energy The barcode scanner uses a low-power laser diode operating at 650 nm in an opto-mechanical scanner resulting in less than 1.1 mW peak output power.

Introduction

This installation guide provides you with the information you require to install the iCORE kiosk system.

Symbols used in this guide

- Text following this mark represents an item in a list.
- “ “ Text in quotation marks contains references to other chapters or sections in this document.
- Paragraphs following this symbol are actions to be performed in the specific order.



Text following this symbol has to be given special attention in order to avoid damage or injury.



This symbol identifies paragraphs which contain general notes to facilitate use of the device and help avoid operating errors.

Important safety precautions



Please read the following notes carefully before doing any work on the device.

Installation notes

- When installing the device and/or doing any work on it, make sure that it is disconnected from the power.



The socket outlet shall be installed near the equipment and shall be easily accessible.

General safety precautions

This device complies with the relevant safety regulations for information processing equipment.

- Note the warning and information labels on the device.
- The device is equipped with a safety-tested power cable, which must be connected only to a grounded outlet.
- Always hold the plug when removing the power cable. Never pull the cable itself.
- Install cables in such a way that they will not be stepped on or tripped over or damaged or crushed in any way.
- Have damaged power cables replaced immediately.
- Make sure that there is always free access to sockets used or to the electrical circuit-breakers of the house installation.
- In case of an emergency (e.g. damaged cabinets, control or power cables, liquids or foreign objects in the device) take the following steps:

Deactivate the device immediately by:

Switching off the automatic circuit-breaker or removing the fuse inset from the fuse holder in the distribution box of the building installation;

Disconnecting the plug connectors of the power supply cables from the grounded socket in the building installation;

Switching off the mains on/off switch on the power distributor.

Inform the customer service responsible for you.

- During the event of a thunderstorm, data transmission lines must not be connected or disconnected.
- Only use accessories and extension components that have been approved by Wincor Nixdorf. Nonobservance can result in damage to the system or violations of regulations concerning safety, radio interference and ergonomical requirements.
- To clean the device only use cleaning agents approved by Wincor Nixdorf International GmbH (see chapter "Appendix", section "Approved cleaning materials")

Repairs

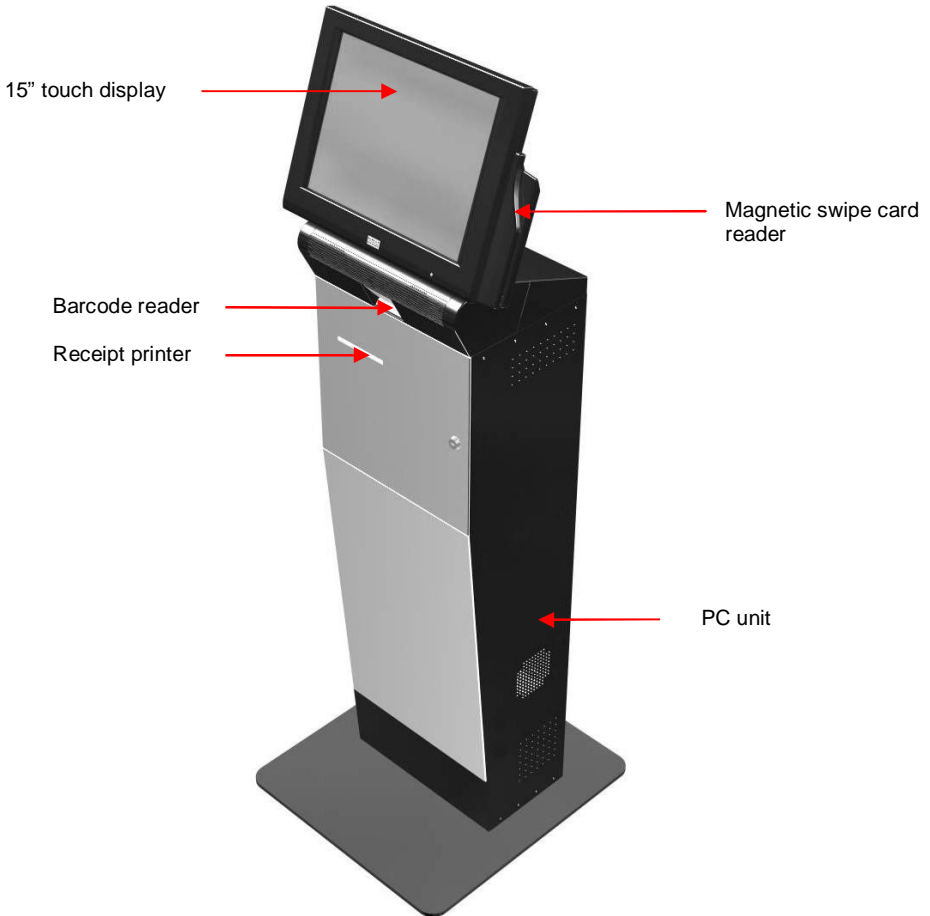


Repair work may only be carried out by authorized personnel.

Unauthorized opening of the device or repair work carried out improperly could result in considerable danger to the user.

In case of noncompliance, Wincor Nixdorf International GmbH excludes all liability.

Device overview

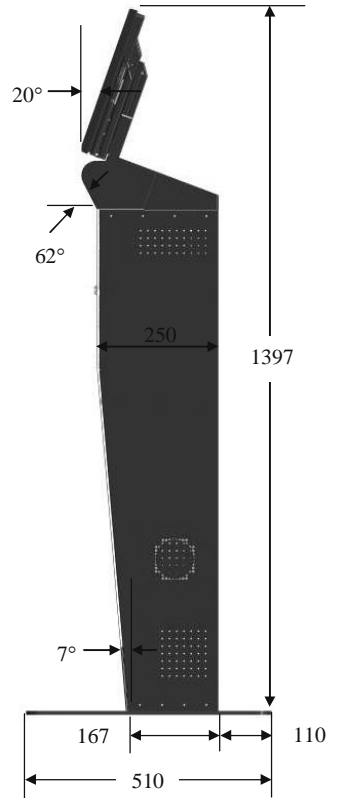
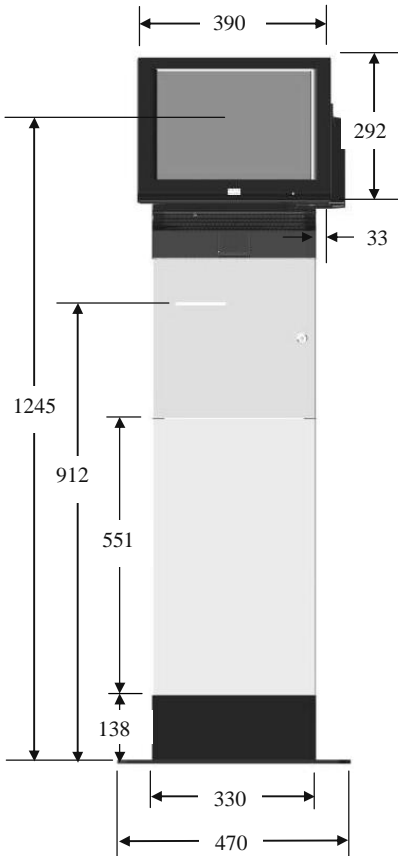


Planning the Installation

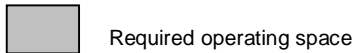
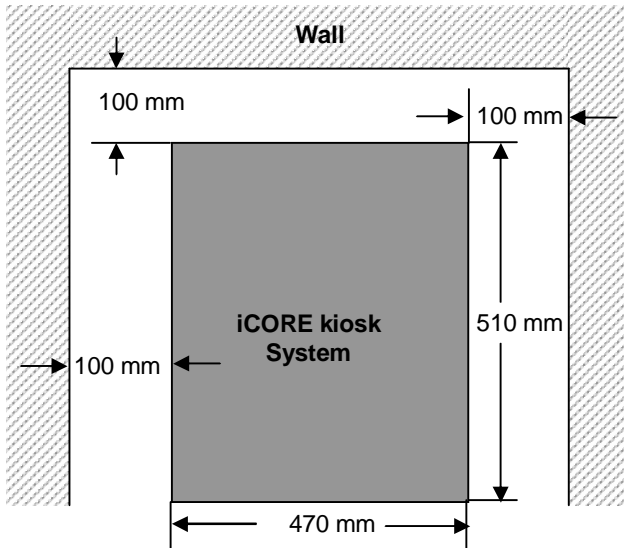
This chapter provides you with the information you need to prepare for the installation of the device.

Device dimensions

All dimensions are specified in millimetres. The views of the device are not drawn to scale.



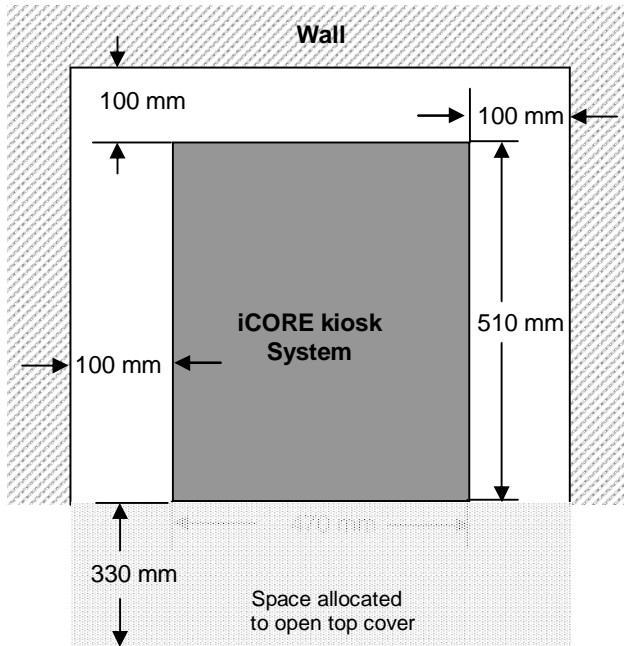
Required operation space





Reservation of minimum space is required to ensure proper ventilation during the operation of the device.

Reserve at least 100 mm of operation space from the rear or the side of the device to its nearest barrier / wall.

Required maintenance space



 Operation space

 Maintenance space

Installation site requirements

The installation area must be flat leveled.

When choosing the installation site, make sure that

- the device is sheltered indoor
- existing underfloor heating, energy and/or cables, etc, are not damaged when drilling the mounting holes.

If necessary, appropriate arrangements must be made.

Installation

This chapter describes the steps to be taken to install the device.

All dimensions are specified in millimetres. The diagrams are not drawn to scale.

Contact the person in charge of planning the installation to verify that all preparations have been performed completely and professionally and that none of the required power and data cables are missing.

Unpacking the kiosk

- Remove the packing material of the iCORE kiosk system.



The base plate is not installed onto the kiosk during the kiosk is packed. As safety precaution, ensure that when unpacking the kiosk , at least one person is to secure the stability of the kiosk and ensure that the kiosk will not topple when the other person is removing the packaging material from the kiosk.

- Install the base plate immediately after the packaging material is removed from the kiosk to ensure stability of the kiosk. (see next section 'Installing base plate')
- Dispose of the packaging which is no longer needed according to the regulations of your country.

Stability of the kiosk

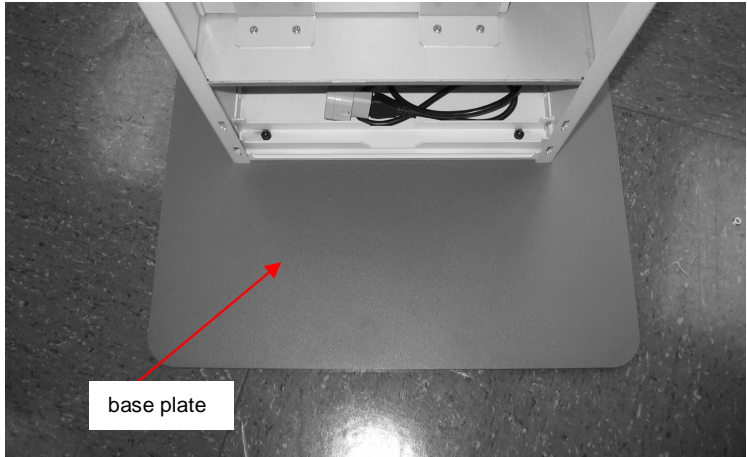


The kiosk is mechanical stable in its upright free standing position with the base plate installed. However, for safety precaution, It is recommended that the device be bolted to the floor or secured to a larger base plate (Part Number: 01750171893) which can be purchased separately.

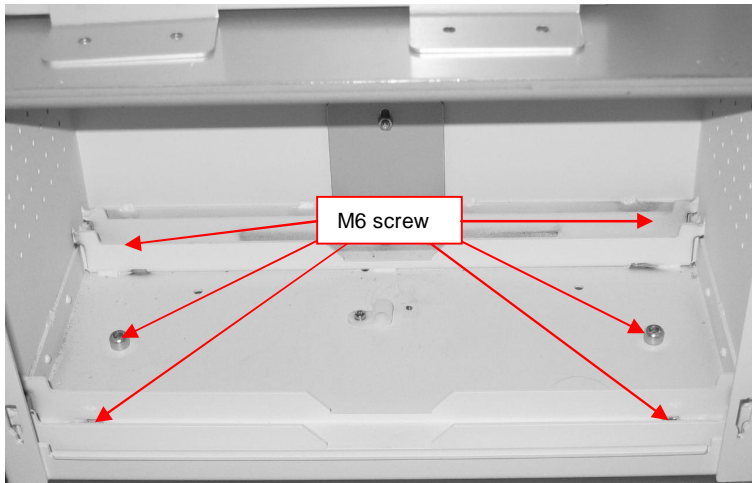


Installing the base plate

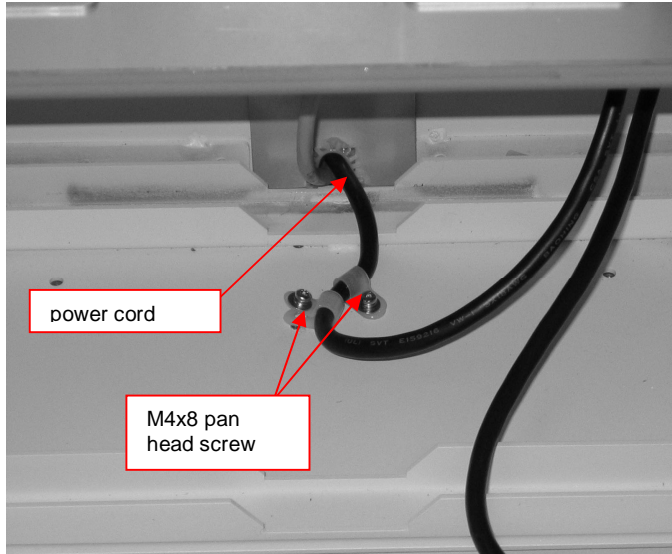
- Place the base plate on the floor.
- Position the kiosk on the base plate and align on the mounting holes (see picture below).



- Secure the base plate in place with 6 M6 screws (see picture below).



- Attach the power cord onto the kiosk on its base plate with the 2 cable clamp dia7.3 provided and tighten them with the pan head screws M4x8 as provided. (see picture below).

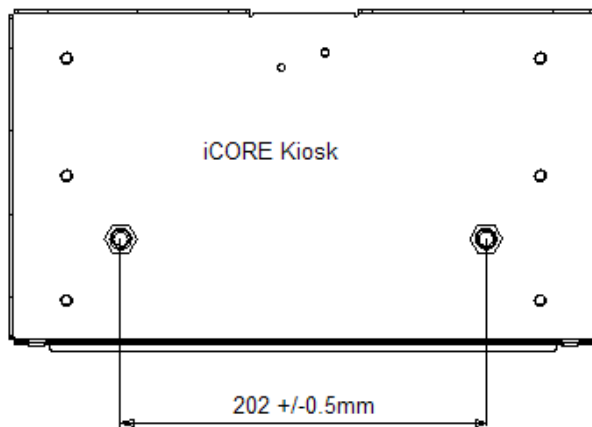


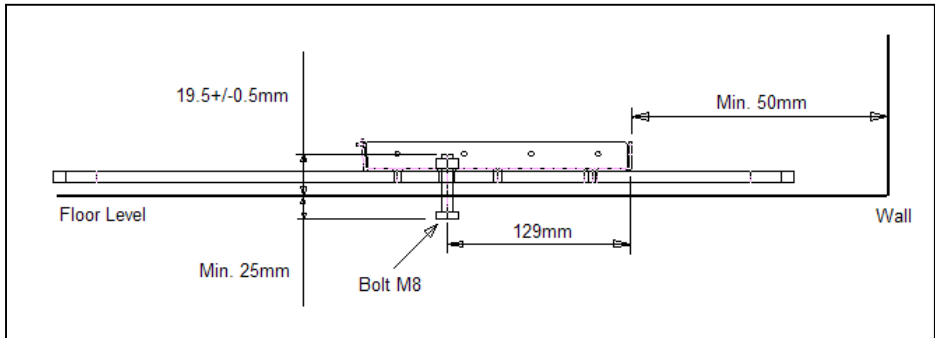
Bolting the device onto the floor

The device is equipped with 2 mounting holes for the device to be mounted securely onto the floor or installation platform.

The mounting holes could be found at the bottom of the kiosk when you assess the base of the kiosk. (see diagram below).

- Prepare the mounting points penetrating from the floor or installation platform according to the dimension of the mounting holes on the base of the kiosk (see illustration below).





- Make sure that the mounting holes prepared will enable the bolt to be resided in the ground with the minimum depth mentioned as in the diagram above.
- Adjust the position of the device so that the mounting points could accurately seat onto the mounting holes of the kiosk.
- Tighten the nuts or lock onto the mounting points from the inside of the printer module's compartment to secure the kiosk.



The kiosk must be properly locked onto the installation platform to ensure that the kiosk is securely installed on the platform during its operation.

Appendix

Technical data

Installation specifications

iCORE Kiosk System	
Dimensions:	
Height:	1397 mm
Depth:	304 mm
Width:	390 mm
Footprint (physical):	
Depth:	510 mm
Width:	470 mm
Weight of device:	Approx. 65 kg

Environmental Conditions

OPERATING	Indoor air conditioned environment	
	Temperature: +10°C to +35°C	
	Relative Humidity: 20 to 85% RH, non-condensing	
Storage	Temperature: +10°C to +85°C	
	Relative Humidity: 5 to 85% RH, non-condensing	
POWER SUPPLY	110 - 120 @ 50-60Hz	200 - 240 @ 50-60Hz
	Less than 4A	Less than 2A

Published by
Wincor Nixdorf Pte Ltd
2, Kallang Sector
Singapore 349277

Part No.: **01750161494 C**