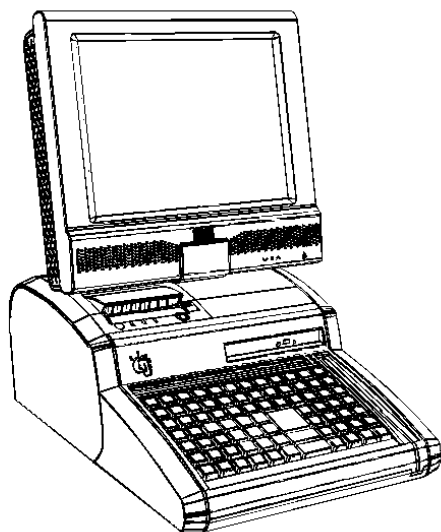


**WINCOR**  
**NIXDORF**



**BEETLE /Fusion  
Compact**

**Installation Guide**

---

The reproduction, transmission or use of this document or its contents is not permitted without express authority.  
Offenders will be liable for damages.  
All rights, including rights created by patent grant or registration of a utility model or design, are reserved.  
Delivery subject to availability; technical modifications possible.

Copyright© Wincor Nixdorf International GmbH, 2011

# **BEELTE /FUSION COMPACT**

## **Installation Guide**

Edition Mar 2011

# Contents

<b>Manufacturer’s Certification .....</b>	<b>1</b>
Tested Safety .....	1
FCC-Class A Declaration .....	2
BSMI (EMC for Taiwan) .....	2
<b>Introduction.....</b>	<b>1</b>
Symbols used in this guide.....	1
Important safety precautions .....	2
Installation notes .....	2
General safety precautions .....	2
<b>Planning the Installation .....</b>	<b>4</b>
Device dimensions .....	4
Device dimension from side view .....	5
Device dimension from top view .....	6
Required operation space .....	7
Installation site requirements.....	8
<b>Installation.....</b>	<b>9</b>
Removing the packaging.....	9
Installing RAM .....	10
Installing harddisk.....	12
Connecting the power cord .....	14
Connecting the serial connector.....	20
<b>Appendix .....</b>	<b>23</b>
Technical data.....	23
AC Power Adapter.....	24
Power Cord Selection.....	25
I/O connection ports .....	26

## Manufacturer's Certification



The device complies with the requirements of the 2004/108/EC (EMC Directive) and 2006/95/EC (Low Voltage Directive).

Therefore, you will find the CE mark on the device or packaging.

## Tested Safety



The BEETLE /Fusion has been provided with the symbol for “Tested Safety”.



In addition, the device has received the UL symbol and cUL symbol.

## FCC-Class A Declaration

This equipment has been tested and found to comply with the limits for a Class A digital device, pursuant to part 15 of the FCC Rules. These limits are designed to provide reasonable protection against harmful interference when the equipment is operated in a commercial environment. This equipment generates, uses, and can radiate radio frequency energy and, if not in-stalled and used in accordance with the instruction manual, may cause harmful interference to radio communications.

Operation of this equipment in a residential area is likely to cause harmful interference in which case the user will be required to correct the interference at his own expense.

Le présent appareil numérique ne génère pas de bruits radioélectriques dépassant les limites applicable aux appareils numériques de la "Class A" prescrites dans le Règlement sur le brouillage radioélectrique édicté par le ministère des Communications du Canada.

## BSMI (EMC for Taiwan)



The device complies with the requirements of the BSMI (Bureau of Standards, Metrology and Inspection, Ministry of Economic Affairs) directive CNS14348 with regard to "Electromagnetic compatibility" with the limits for a Class B product.

# Introduction

This installation guide provides you with the information you require to install the Beetle /Fusion system.

## Symbols used in this guide

- Text following this mark represents an item in a list.
- “ “ Text in quotation marks contains references to other chapters or sections in this document.
- Paragraphs following this symbol are actions to be performed in the specific order.



Text following this symbol has to be given special attention in order to avoid damage or injury.



This symbol identifies paragraphs which contain general notes to facilitate use of the device and help avoid operating errors.

## Important safety precautions



Please read the following notes carefully before doing any work on the device.

## Installation notes

- When installing the device and/or doing any work on it, make sure that it is disconnected from the power.

## General safety precautions

This device complies with the relevant safety regulations for information processing equipment.

- Note the warning and information labels on the device.
- The device is equipped with a safety-tested power cable, which must be connected only to a grounded outlet.
- Always hold the plug when removing the power cable. Never pull the cable itself.
- Have damaged power cables replaced immediately.
- The lithium battery must be disposed of in accordance with local regulations for special waste.
- If the display element is damaged and the liquid crystal solution leaks out onto your hands or clothing, please wash your hands or clothing immediately under running water for at least 15 minutes, using soap or alcohol. If the liquid comes into contact with your eyes, consult a medical doctor immediately.



- Make sure that there is always free access to sockets used or to the electrical circuit-breakers of the house installation.
- In case of an emergency (e.g. damaged cabinets, control or power cables, liquids or foreign objects in the device), switch off the device immediately and inform the customer service responsible for you.
- During the thunderstorm, data transmission lines must not be connected or disconnected.
- Only use accessories and extension components that have been approved by us. Nonobservance can result in damage to the system or violations of regulations concerning safety, radio interference and ergonomical requirements.
- To clean the device only use cleaning agents approved by Wincor Nixdorf International GmbH.

## Repairs



Repair work may only be carried out by authorized personnel.

Unauthorized opening of the device or repair work carried out improperly could result in considerable danger to the user.

In case of noncompliance, Wincor Nixdorf International GmbH excludes all liability.

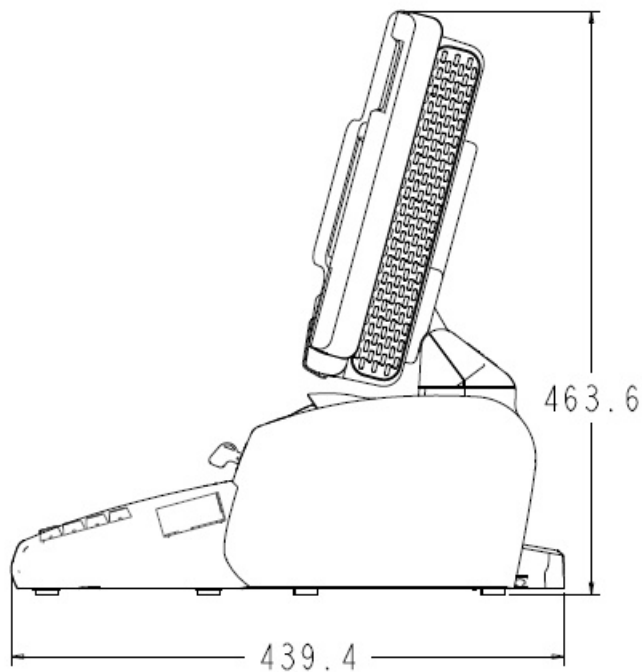
# Planning the Installation

This chapter provides you with the information you need to prepare for the installation of the system.

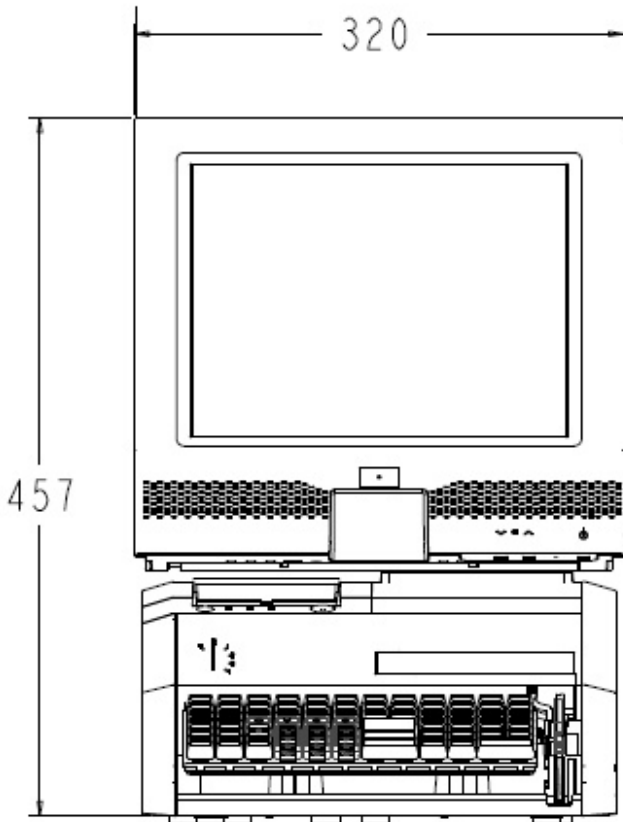
## Device dimensions

All dimensions are specified in millimetres. The views of the systems are not drawn to scale.

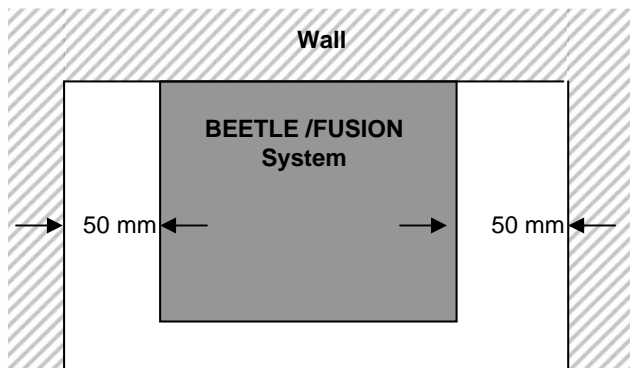
### Device dimension from side view



**Device dimension from top view**



## Required operation space



Reservation of minimum space is required to ensure proper ventilation during the operation of the device.

Reserve at least 50 mm of operation space from the side of the device to its nearest barrier / wall.

## Installation site requirements

The installation area must be flat leveled.

When choosing the installation site, make sure that

- the system is sheltered indoor
- If this system is taken from a cold environment into the operating room, moisture condensation may form. The system must be absolutely dry before being put into service; an acclimatization period of at least two hours must therefore be observed.
- No cascading of power cables

The system needs to be installed on the table surface and not on the floor.

If necessary, appropriate arrangements must be made.

# Installation

This chapter describes the steps to be taken to install the system.

All dimensions are specified in millimetres. The diagrams are not drawn to scale.

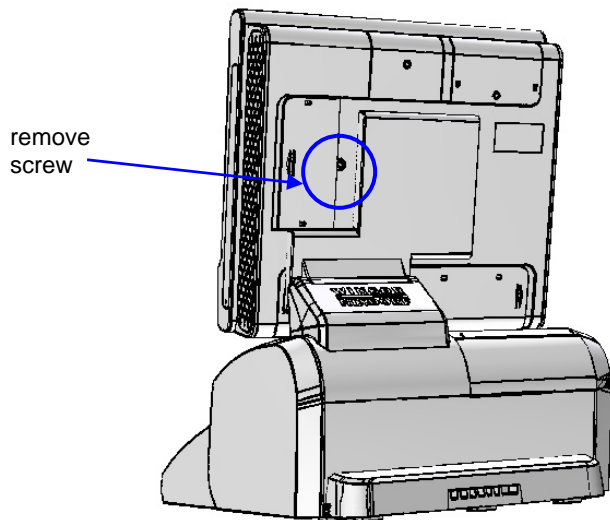
Contact the person in charge of planning the installation to verify that all preparations have been performed completely and professionally and that none of the required power and data cables are missing.

## Removing the packaging

- Remove the packing material of the system or the modules ordered.
- Dispose of the packaging which is no longer needed according to the regulations of your country.

## Installing RAM

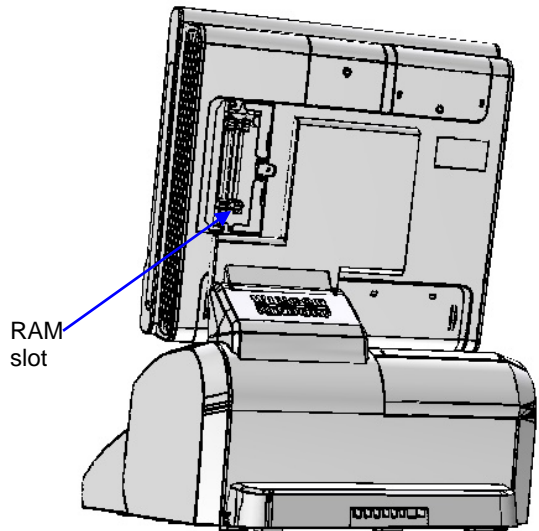
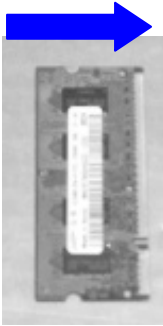
- Remove the screw to access the RAM slot (see picture below).





- Insert the RAM into the RAM slot and make sure it is engaged properly on the slot (see picture below).

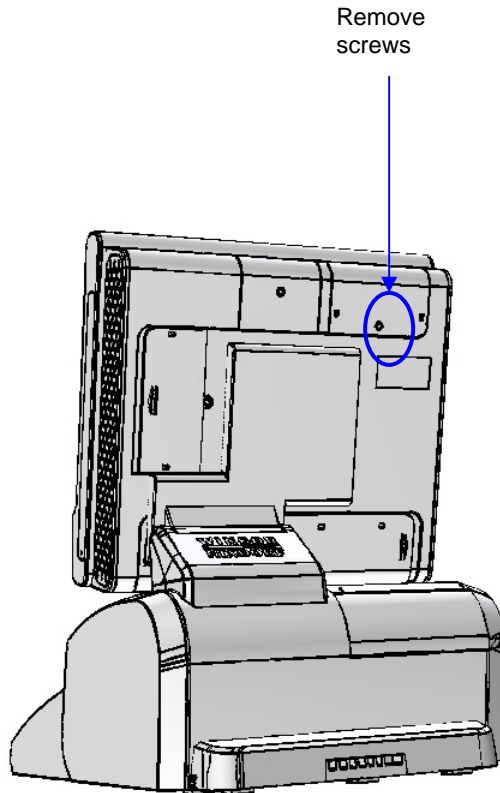
Ensure that the RAM is inserted in this orientation



- Close the cover and tighten the screws.

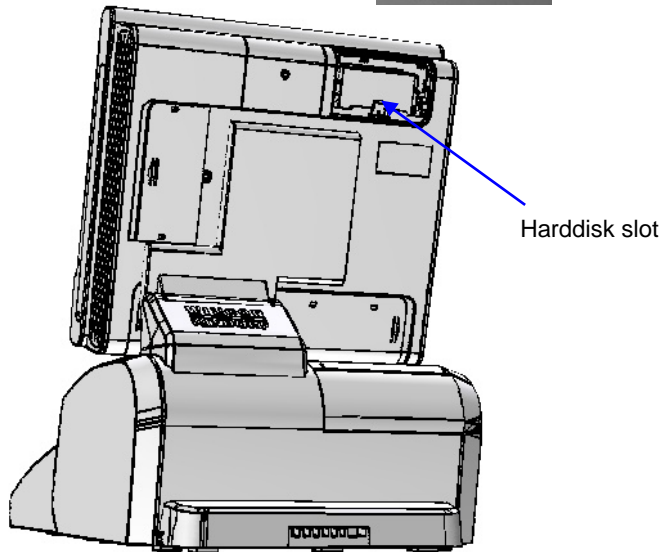
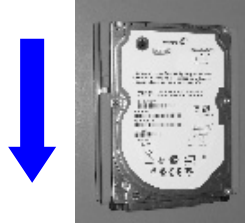
## Installing harddisk

- Remove the screw to access the harddisk slot (see picture below).



- Insert the harddisk into the harddisk slot and make sure it is engaged properly on the slot (see picture below).

Ensure that the harddisk is inserted in this orientation



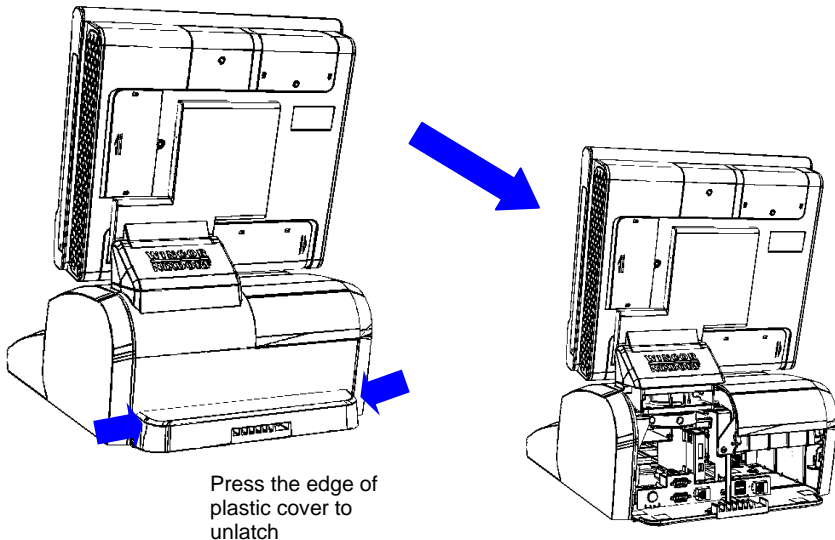
- Close the cover and tighten the screws.

## Connecting the power cord

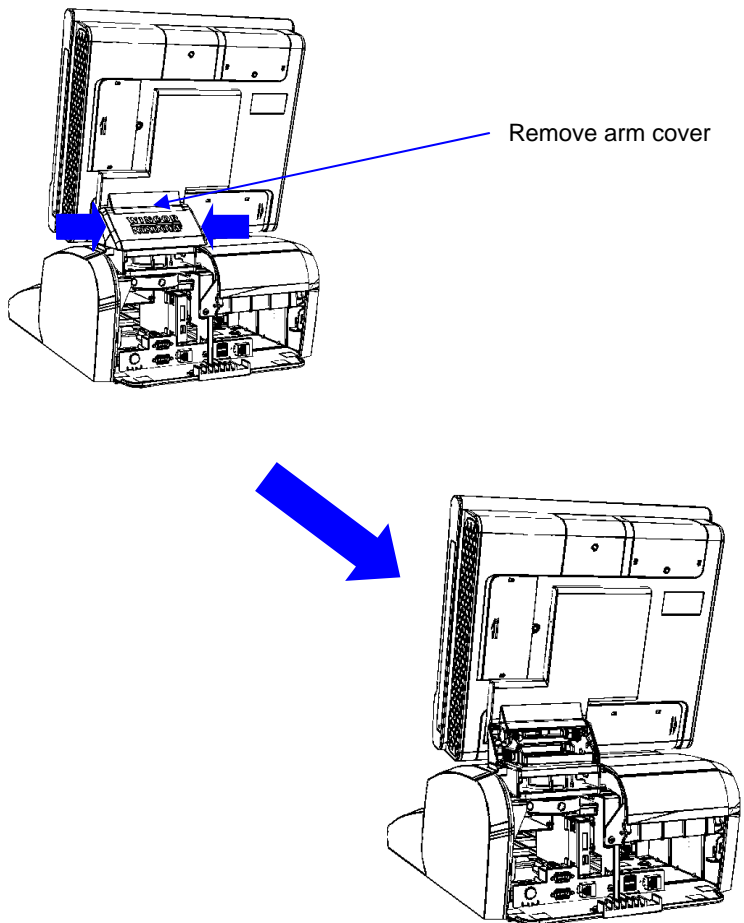
### **WARNING**

Ensure that the AC power point is switched off before inserting the specified power cord into the AC power point.

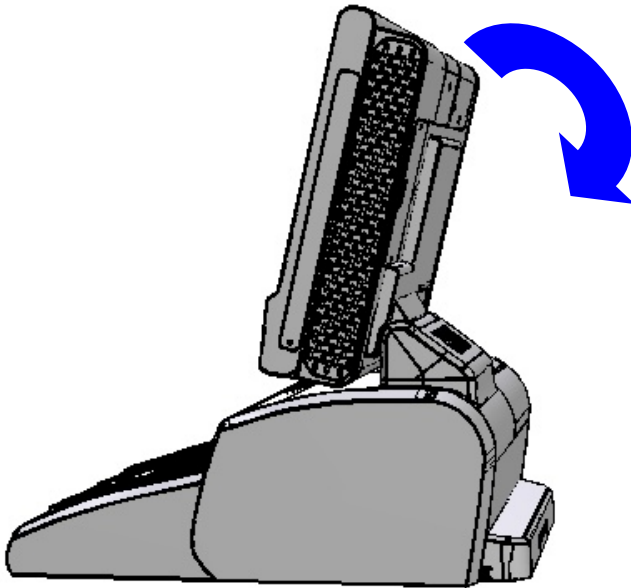
- To connect the system to the power source, plug the connector of the power adapter into the power connector at the rear of the system.
- To access to the rear of the system, press the left and right edge of the plastic cover to unlatch the cage of the cover (see picture below).



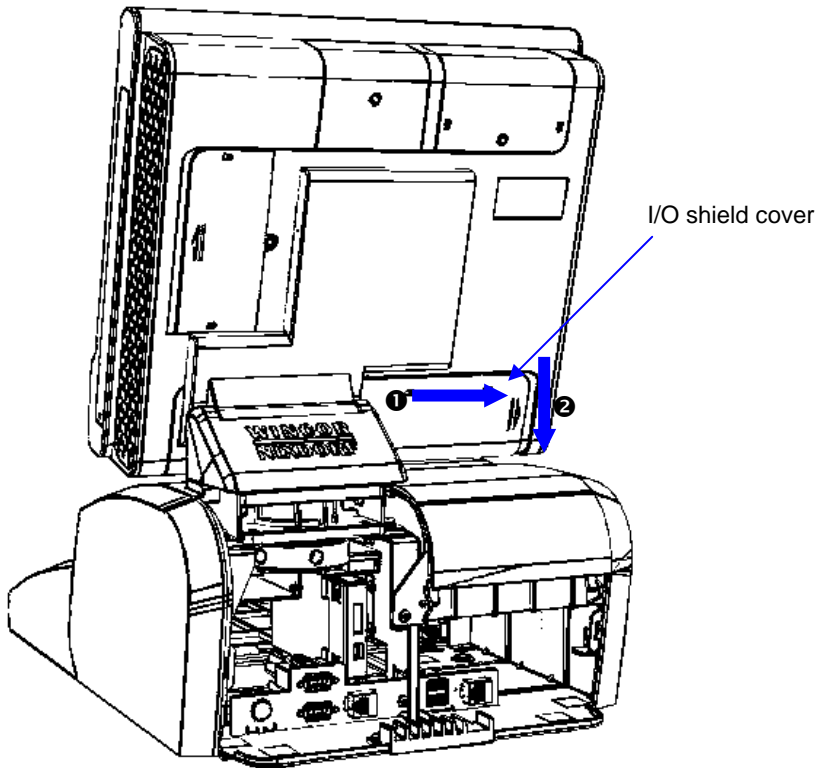
- Press and release the arm cover to remove it from the rear of the system (see picture below).



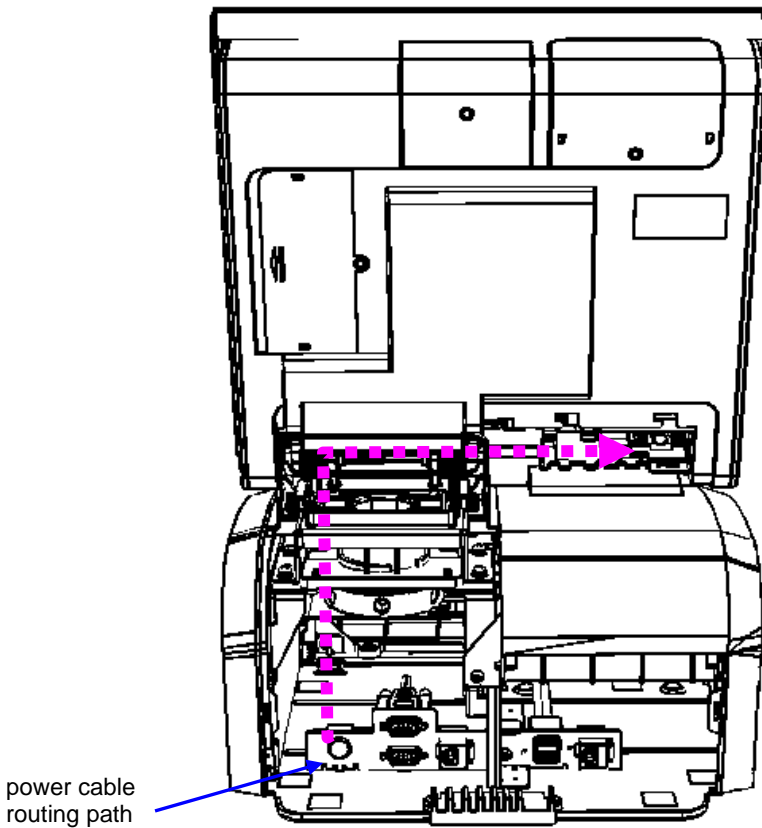
- Press the display module downward to ease the access of the I/O shield cover (see picture below).



- Slide the I/O shield cover to the right **1** to unlatch before you slide downward the cover **2** to remove the cover in order to access the I/O of the system (see picture below).



- Plug the power cable onto the system by routing it through the cable holder of the system. Make sure that the cable is routed and connected securely (see picture below).

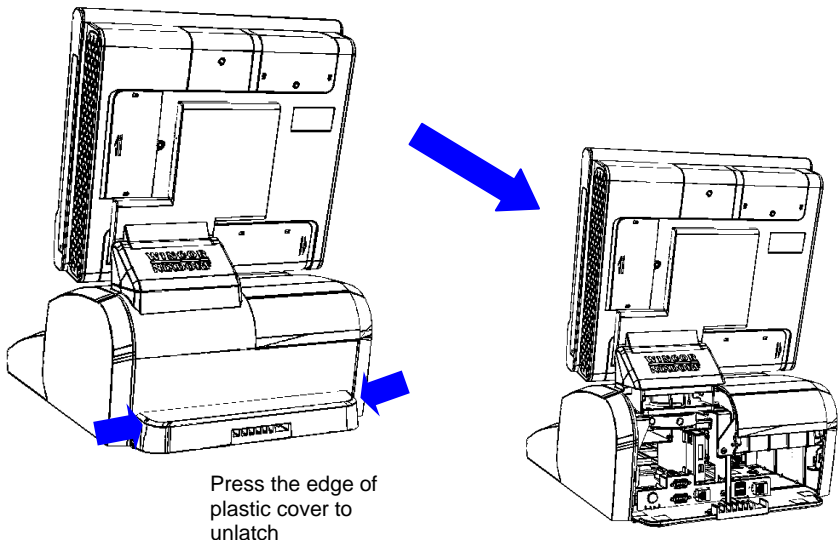




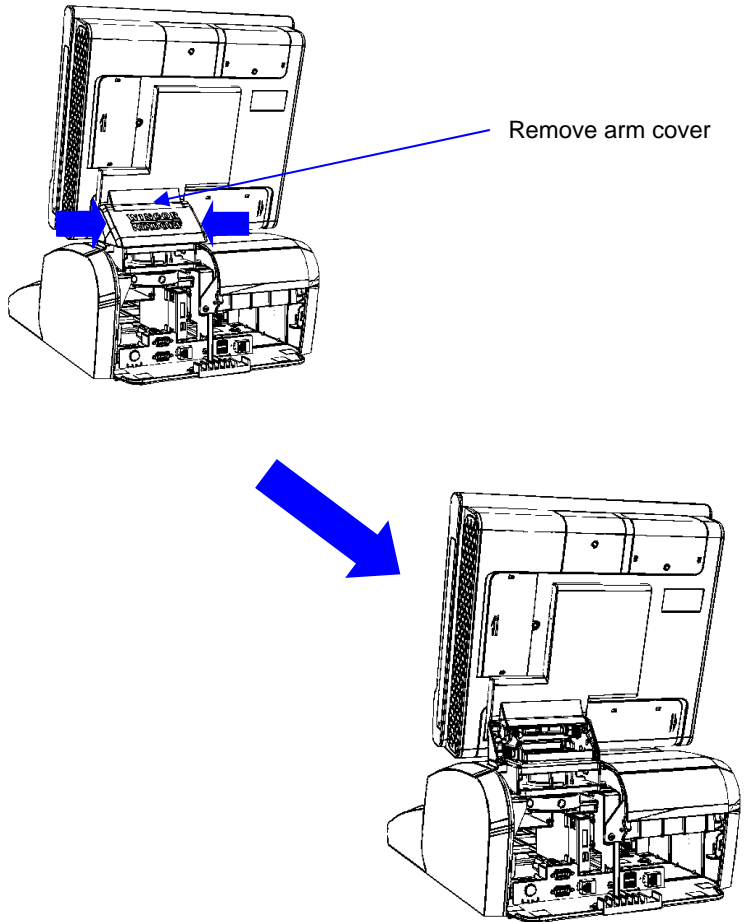
- Connect all the required peripherals and network port into the I/O ports of the system.
- Do the reverse to attach all the covers removed to the system.
- Plug the power plug into the socket outlet.
- The socket-outlet is to be installed near the device to ensure easy accessibility to the plug.

## Connecting the serial connector

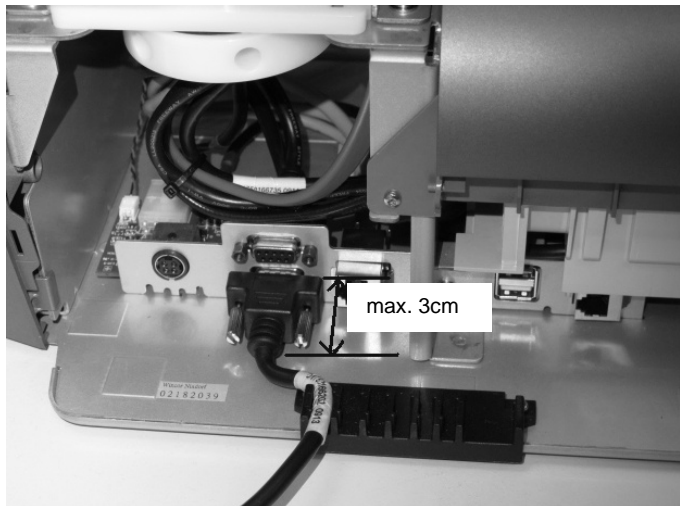
- To connect the serial connector to the system, plug the serial connector into the serial port at the I/O area at the rear of the system.
- To access to the rear of the system, press the left and right edge of the plastic cover to unlatch the cage of the cover (see picture below).



- Press and release the arm cover to remove it from the rear of the system (see picture below).



- To allow the serial connector to fit within the I/O area, take note that the recommended connector length is not more than 3 cm (see picture below).



## Appendix

### Technical data

<b>Beetle /Fusion Compact</b>	
<b>Dimensions:</b>	
<b>Height:</b>	464 mm
<b>Depth:</b>	440 mm
<b>Width:</b>	320 mm
<b>Weight of device:</b>	Approx. 13 kg

<b>Climatic category</b>	
Operating	IEC 721-3-3 class 3K3+ 5° to +40°C
Transport	IEC 721-3-2 class 2K2 -25° to +60°C
Storage	IEC 721-3-1 class 1K2 +5° to +40°C
<b>Input voltage</b>	24V DC (nominal)
<b>Input current</b>	7.5A (max)

## AC Power Adapter

The AC power adapter used must be Wincor Nixdorf's qualified and has to meet the following minimum requirements and industry standards:

<b>Rated Input voltage</b>	100 / 240 Vac
<b>Input Voltage range</b>	90 to 264Vac
<b>Input Frequency range</b>	47 to 63 Hz
<b>Rated Output voltage</b>	24V $\pm$ 5%,
<b>Rated Output current</b>	7.5A (min)
<b>Approvals &amp; Certification</b>	UL Listed, TUV-GS, BSMI, CCC, CE

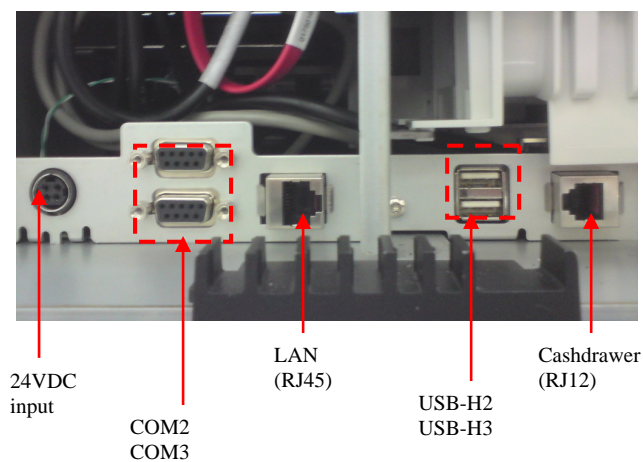
## Power Cord Selection

If the power cord is not provided with the system, the user has to ensure that a certified power cord is used as required by the Safety Regulation of the country.

<b>Countries</b>	<b>Safety Approvals</b>
USA	UL
Canada	CSA
Germany	VDE
Japan	PSE
Taiwan	BSMI
China	CCC

For other countries not mentioned in the above list, please check with the local authority.

## I/O connection ports





---

Published by  
Wincor Nixdorf Pte Ltd  
2, Kallang Sector  
Singapore 349277

Part No.: **01750171532 C**