

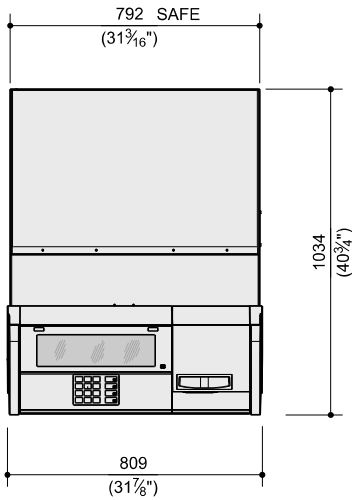
**CONSULT WITH DIEBOLD INSTALLATION/SERVICE BRANCH FOR ADDITIONAL DETAILS AND INFORMATION. PLEASE SEE PLANNING AND SITE PREPARATION GUIDE TP-821806-001.**

### CONSUMER ACCESS DIMENSIONS

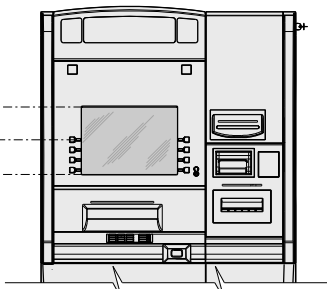
	HEIGHT	DEPTH
<b>A</b> TOP OF CONSUMER DISPLAY (19" DISPLAY)	1257mm (49 <sup>1</sup> / <sub>2</sub> " )	257mm (10 <sup>1</sup> / <sub>8</sub> " )
<b>B</b> TOP FUNCTION KEY (19" DISPLAY)	1119mm (44 <sup>1</sup> / <sub>8</sub> " )	203mm (8" )
<b>C</b> BOTTOM OF CONSUMER DISPLAY	975mm (38 <sup>3</sup> / <sub>8</sub> " )	154mm (6 <sup>1</sup> / <sub>8</sub> " )
<b>D</b> ActivCash	834mm (32 <sup>3</sup> / <sub>8</sub> " )	145mm (5 <sup>3</sup> / <sub>4</sub> " )
<b>E</b> EPP KEY / ActivView	763mm (30" )	46mm (1 <sup>3</sup> / <sub>16</sub> " )
<b>F</b> 1219mm (48" ) TOUCH POINT (19" DISPLAY)	1219mm (48" )	243mm (9 <sup>5</sup> / <sub>16</sub> " )
<b>G</b> RECEIPT PRINTER	1120mm (44 <sup>1</sup> / <sub>8</sub> " )	123mm (4 <sup>13</sup> / <sub>16</sub> " )
<b>H</b> CARD READER / ActivEdge	995mm (39 <sup>3</sup> / <sub>16</sub> " )	73mm (2 <sup>15</sup> / <sub>16</sub> " )
<b>I</b> HEADPHONE JACK	977mm (38 <sup>1</sup> / <sub>2</sub> " )	151mm (5 <sup>15</sup> / <sub>16</sub> " )
<b>J</b> ActivMedia	868mm (34 <sup>1</sup> / <sub>4</sub> " )	96mm (3 <sup>3</sup> / <sub>4</sub> " )
<b>K</b> 2D BARCODE SCANNER	717mm (28 <sup>1</sup> / <sub>4</sub> " )	0
<b>L</b> TOP OF CONSUMER DISPLAY (15" DISPLAY)	1189mm (46 <sup>13</sup> / <sub>16</sub> " )	232mm (9 <sup>1</sup> / <sub>8</sub> " )
<b>M</b> TOP FUNCTION KEY (15" DISPLAY)	1085mm (42 <sup>1</sup> / <sub>2</sub> " )	190mm (7 <sup>1</sup> / <sub>2</sub> " )

**HEIGHT - FROM BOTTOM OF SAFE**  
**DEPTH - FROM FRONT EDGE OF BEZEL**

DIMENSIONS IN MILLIMETRES  
(DIMENSIONS IN INCHES)

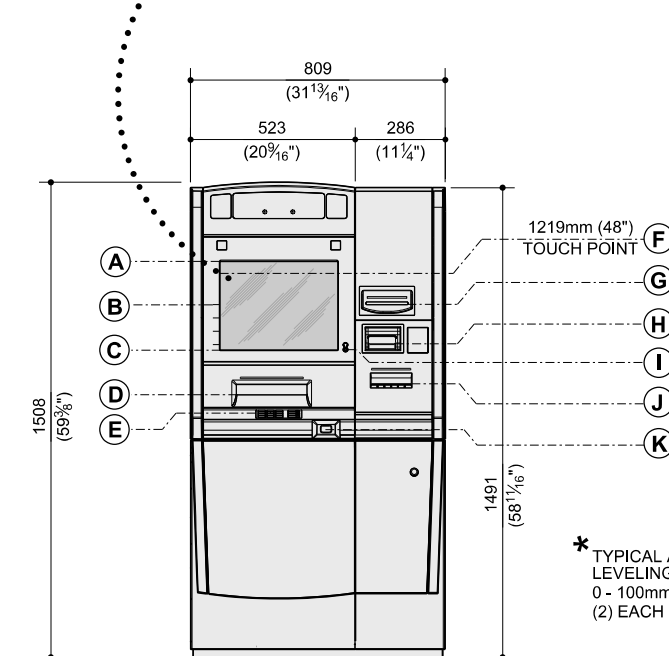


**PLAN VIEW**  
19" DISPLAY SHOWN

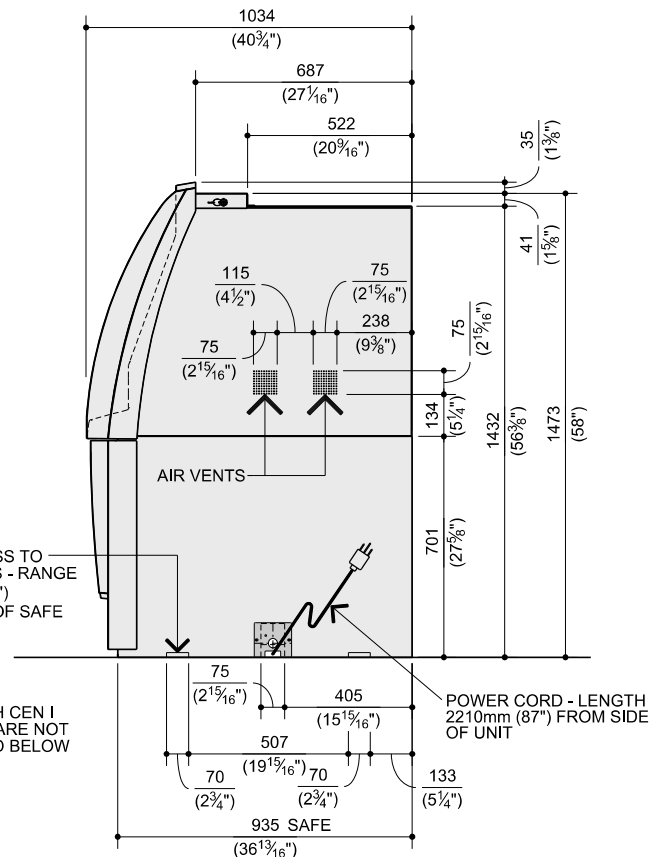


TERMINAL WITH 15" DISPLAY SHARES ALL THE SAME DIMENSIONS AS THE 19" DISPLAY EXCEPT DISPLAY SIZE AND FUNCTION KEYS

**15" DISPLAY**



**FRONT ELEVATION**  
19" DISPLAY SHOWN



**SIDE ELEVATION**

\* TYPICAL ACCESS TO LEVELING LEGS - RANGE 0 - 100mm (3<sup>15</sup>/<sub>16</sub>" ) (2) EACH SIDE OF SAFE

\* TO COMPLY WITH CEN I LEVELING LEGS ARE NOT TO BE EXTENDED BELOW SAFE BOTTOM

POWER CORD - LENGTH 2210mm (87" ) FROM SIDE OF UNIT

## CONDUIT AND JUNCTION BOX REQUIREMENTS

- 1 25mm (1") METAL CONDUIT FROM ALARM CONTROL CABINET JUNCTION BOX TO 102mm (4") SQ. X 54mm (2 1/8") DEEP JUNCTION BOX (ALL BY OWNER'S E.C.). DNA ONLY-FLAT COVER WITH TAMPER SWITCH IS PROVIDED BY THE DNA SERVICE ORGANIZATION.
- 2 OWNER'S E.C. TO RUN 19mm (3/4") LIQUID TIGHT FLEX METAL CONDUIT OR 19mm (3/4") RIGID CONDUIT FROM JUNCTION BOX TO CABLE CONNECTION PLATE.
- 3 19mm (3/4") METAL CONDUIT AND UNSWITCHED ELECTRICAL SUPPLY TO 102mm (4") SQ. X 54mm (2 1/8") DEEP JUNCTION BOX WITH RECEPTACLE WITHIN 2210mm (87") OF SIDE CONNECTING PLATE. BOTTOM CONNECTION MUST BE COMPENSATED ACCORDINGLY (ALL BY OWNER'S E.C.) (SEE POWER REQUIREMENTS).
- 4 OWNER'S E.C. TO SUPPLY COMPATIBLE RECEPTACLE FOR COUNTRY SPECIFIC PLUG-IN CONNECTOR SUPPLIED WITH UNIT. POWER CORD LENGTH 2210mm (87") FROM SIDE OF UNIT.

### NOTE:

JUNCTION BOXES MUST BE LOCATED WITHIN 2210mm (87") OF CONNECTING PLATE. (LENGTH OF ELECTRICAL POWER CABLE PROVIDED WITH UNIT). LOCATE IN AN EASILY ACCESSIBLE AREA.

BOXES CAN BE FLUSH MOUNTED WITH CONCEALED CONDUIT FOR NEW CONSTRUCTION OR BOXES CAN BE SURFACE MOUNTED WITH EXPOSED CONDUIT FOR EXISTING CONSTRUCTION.

### SIGNAL CABLE RUN CONSTRAINTS

THE FOLLOWING CHART ITEMIZES THE PHYSICAL SPACING REQUIREMENTS OF THE SIGNAL CABLE RUN WITH RESPECT TO OTHER POWER AND ELECTRICAL EQUIPMENT CABLE RUN.

TYPE OF ELECTRICAL RUN	SEPARATION FROM OTHER CABLES		
	BELOW 2 KVA	2-5 KVA	ABOVE 5 KVA
FLUORESCENT, NEON OR INCANDESCENT LIGHTING FIXTURES	127mm (5")	127mm (5")	127mm (5")
UNSHIELDED POWER LINE OR ELECTRICAL EQUIPMENT	127mm (5")	305mm (1'-0")	610mm (2'-0")
UNSHIELDED POWER LINES OR ELECTRICAL EQUIPMENT WITH SIGNAL CABLES ENCLOSED IN GROUNDED CONDUIT	64mm (2 1/2")	152mm (6")	305mm (1'-0")
POWER LINES IN GROUNDED CONDUIT WITH SIGNAL CABLES IN GROUNDED CONDUIT	30mm (1 1/8")	76mm (3")	152mm (6")

### SIGNAL CABLE INSTALLATION CONSTRAINTS:

RELATIVE CARE IS REQUIRED WHEN INSTALLING SIGNAL CABLES IN CONDUITS, UNLIKE POWER AND LIGHTING CABLE. SIGNAL CABLES HAVE CONDUCTORS AND LIGHT INSULATION AND WILL NOT WITHSTAND AS MUCH STRAIN IN INSTALLATION.

## POWER REQUIREMENTS:

THE TERMINAL REQUIRES A SINGLE-PHASE, THREE-WIRE UNSWITCHED POWER RECEPTACLE. WIRING TO THE RECEPTACLE MUST INCLUDE A THIRD-WIRE EARTH GROUND (CONDUIT GROUND S NOT ACCEPTABLE). THE TERMINAL WILL PROVIDE A POWER CORD WITH A COUNTRY SPECIFIC POWER PLUG. THE POWER SUPPLIED MUST BE AS SPECIFIED BELOW.

### CHOOSE AND SUPPLY THE PROPER POWER FOR THE SITE:

- 100-127 VAC (+6%, -10%) AT 50 (±1%) Hz, SINGLE-PHASE
- 100-127 VAC (+6%, -10%) AT 60 (±1%) Hz, SINGLE-PHASE
- 200-240 VAC (±10%) AT 50 (±1%) Hz, SINGLE-PHASE
- 200-240 VAC (±10%) AT 60 (±1%) Hz, SINGLE-PHASE

POWER TO THE TERMINAL IS TO BE A DEDICATED SERVICE AND MUST BE PROTECTED BY A SAFETY QUICK-DISCONNECT DEVICE TO BREAK LINE VOLTAGE (SUCH AS A CIRCUIT BREAKER AT THE ELECTRICAL SERVICE PANEL. THE QUICK-DISCONNECT DEVICE (OR CIRCUIT BREAKER) MUST TURN OFF THE LINE VOLTAGE AT THE FOLLOWING AMPERAGE.

- 100-127 VAC (+6%, -10%) SERVICE, DISCONNECT AT 20 AMPERES
- 200-240 VAC (±10%) SERVICE, DISCONNECT AT 10 AMPERES

THE MODULE BULK POWER SUPPLY AND PROCESSOR POWER SUPPLY WILL PROVIDE POWER CONDITIONING TO PREVENT THE TERMINAL FROM MALFUNCTIONING DUE TO SHORT-TERM AC POWER FLUCTUATIONS AS OUTLINED IN EN61000-4-11.

### POWER USAGE:

MACHINE STATUS	(A)
IDLE (NO TRANSACTION)	185 WATTS
CHECK DEPOSIT	235 WATTS
CASH DISPENSE	225 WATTS

### TERMINAL CONFIGURATION:

- (A) ActivCore HIGH END, 19" LCD DISPLAY, ActivDispense, ActivMedia, ActivEdge CARD READER, 80mm RECEIPT PRINTER, BATTERY PACK, REAR DISPLAY, JOURNAL PRINTER, CONTACTLESS CARD READER, LOWER CONTROL CARD, AND 7" DISPLAY.

THE POWER USE DEPENDS ON THE NUMBER AND TYPE OF DEVICES PRESENT IN THE TERMINAL, AND THE TYPE OF TRANSACTION THE TERMINAL IS PERFORMING.

VALUES ABOVE ARE BASED ON MEASURED AVERAGES FOR THE CONFIGURATION LISTED.

### HEAT OUTPUT CONFIGURATION:

- 631 BTU/HR - IDLE
- (A) 802 BTU/HR - CHECK DEPOSIT
- 768 BTU/HR - CASH DISPENSE

THE HEAT OUTPUT VALUES ABOVE ARE BASED ON MEASURED AVERAGES FOR THE CONFIGURATION LISTED.

### OPERATING ENVIRONMENT:

TEMPERATURE (INSIDE AT OUTSIDE WALLS OF UPPER CABINET AND SAFE)  
0°C TO 50°C (32°F TO 122°F)

MAX RATE OF CHANGE 10°C (18°F) PER HOUR

RELATIVE HUMIDITY (NON-CONDENSING) (INSIDE) 20% TO 80%

MAX RATE OF CHANGE 10% PER HOUR

HIGH ABSOLUTE HUMIDITY 32g WATER / Kg DRY AIR (MAXIMUM WET BULB 35°C)

LOW ABSOLUTE HUMIDITY 1g WATER / Kg DRY AIR

### WEIGHT OF UNIT:

839 kg (1,850 LBS.)

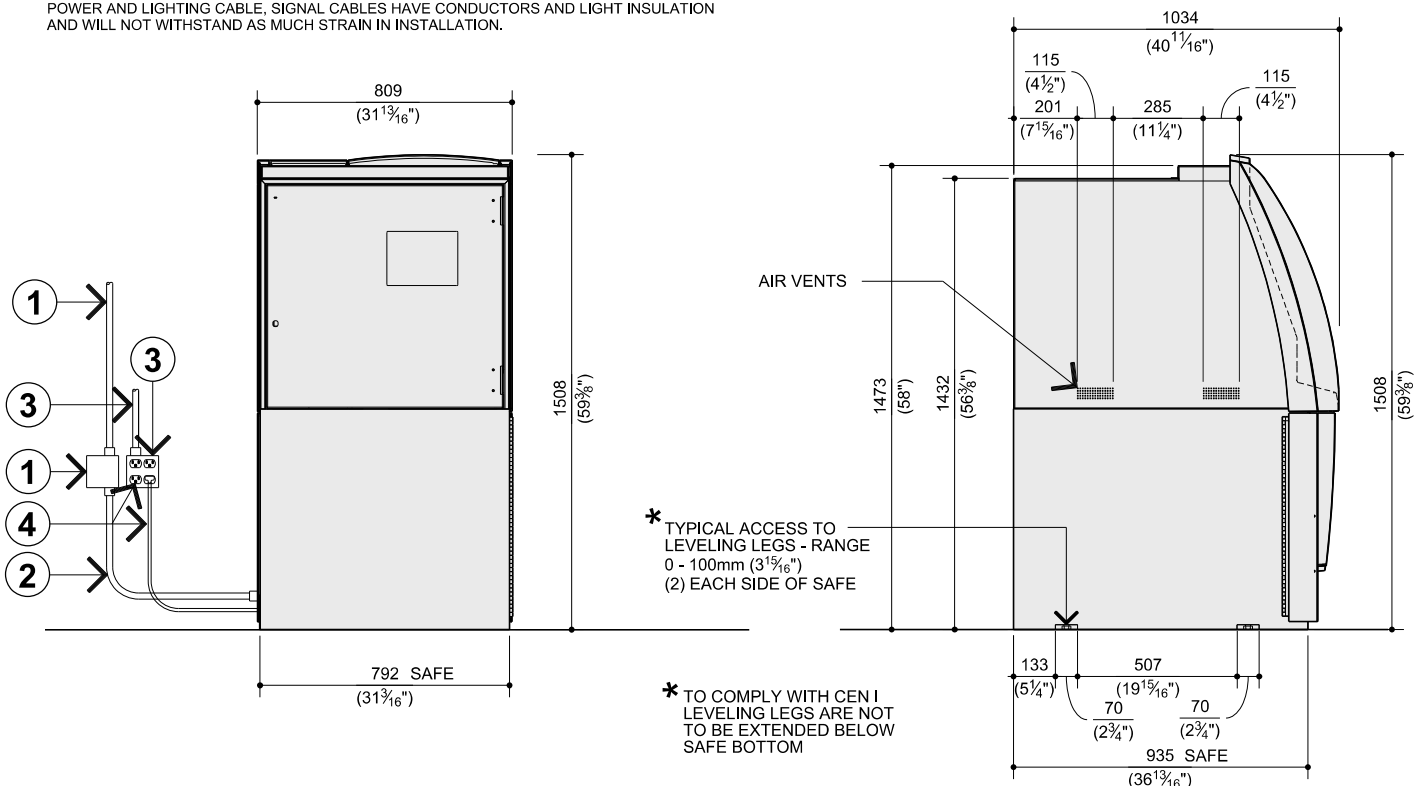
DIMENSIONS IN MILLIMETRES  
(DIMENSIONS IN INCHES)



PAGE 2 OF 4

\*ALL DIMENSIONS AND DESIGN CRITERIA  
SUBJECT TO CHANGE WITHOUT NOTICE\*

FILE NO. 177-651 REV. 0



**BACK ELEVATION**

**SIDE ELEVATION**

CALL 1-800-999-3600



REQUIRED MINIMUM SERVICE AREA

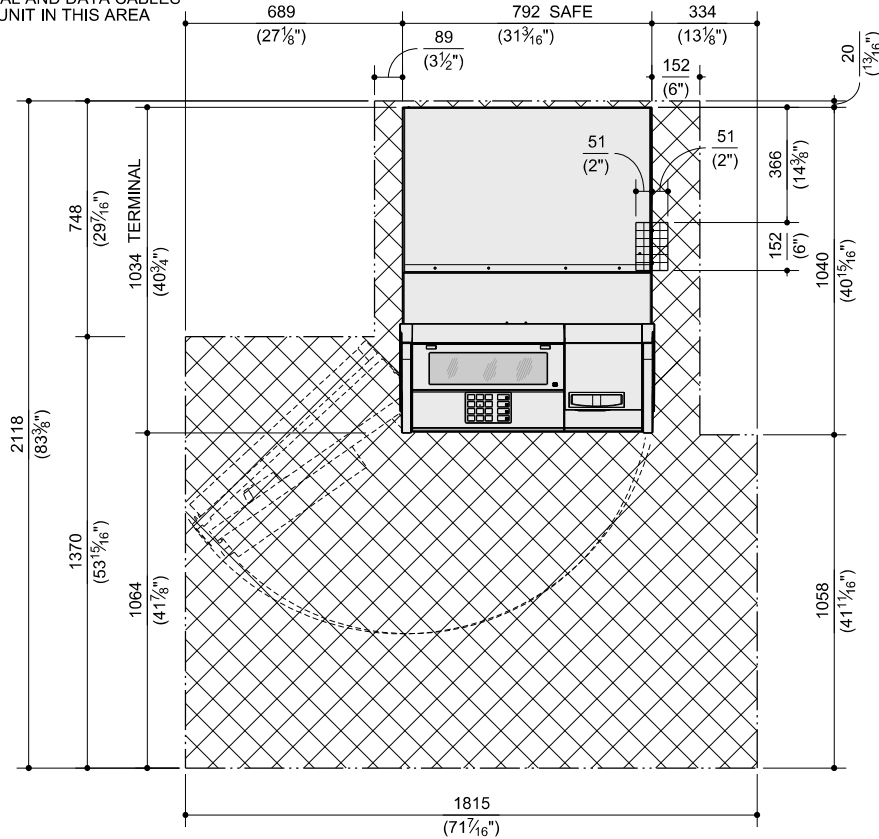


ALL ELECTRICAL AND DATA CABLES  
MUST ENTER UNIT IN THIS AREA

**NOTE:**

SHOWN IS THE MINIMUM AREA REQUIRED FOR INSTALLATION AND SERVICE. DIMENSIONS SHOWN MAY BE INCREASED WHEREVER POSSIBLE TO IMPROVE INSTALLATION AND SERVICE ACCESS. USE OF ANY AREA LESS THAN THE RECOMMENDED AREA MAY RESULT IN AN INCREASE IN INSTALLATION AND SERVICE TIME. CONSULT WITH DIEBOLD INSTALLATION/SERVICE BRANCH FOR SPECIAL BUILDING CONDITIONS.

DIMENSIONS IN MILLIMETRES  
(DIMENSIONS IN INCHES)

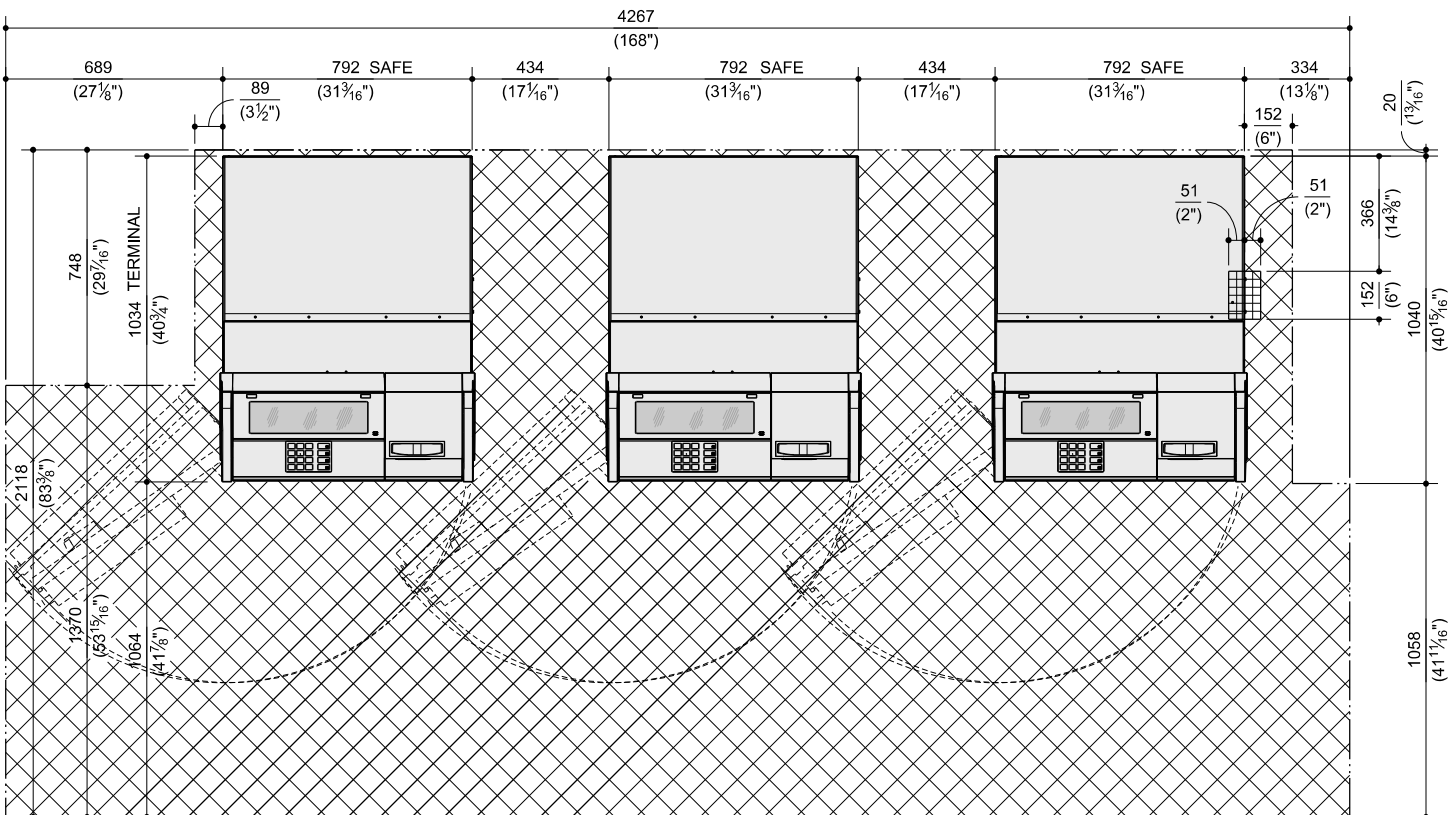


**PLAN VIEW-SINGLE UNIT  
(REQUIRED MINIMUM SERVICE AREA)**

PAGE 3 OF 4

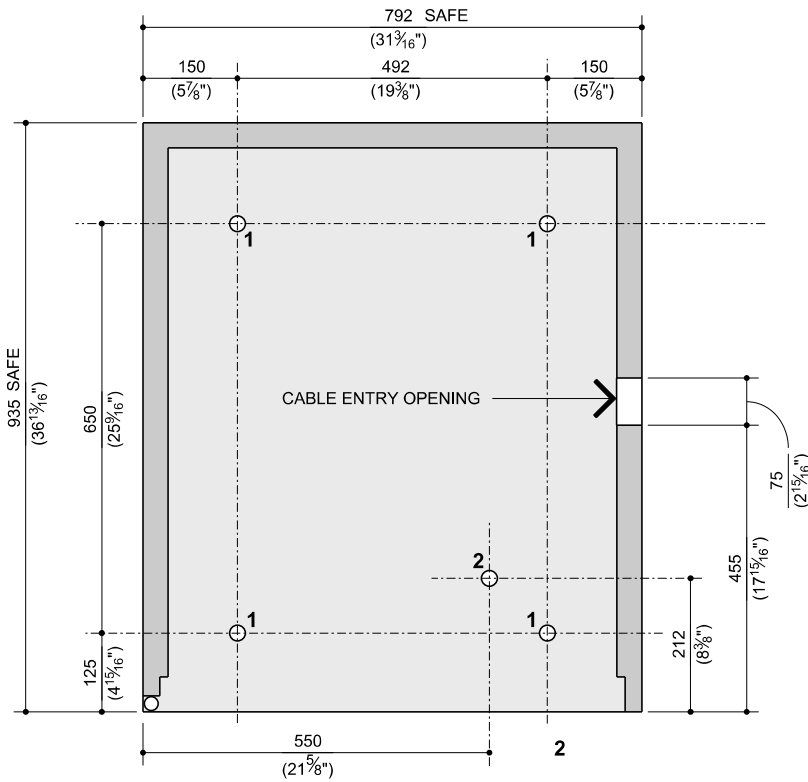
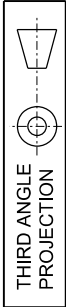
\*ALL DIMENSIONS AND DESIGN CRITERIA  
SUBJECT TO CHANGE WITHOUT NOTICE\*

FILE NO. 177-651 REV. 0



**PLAN VIEW-ADJACENT UNITS  
(REQUIRED MINIMUM SERVICE AREA)**

DIMENSIONS IN MILLIMETRES  
(DIMENSIONS IN INCHES)

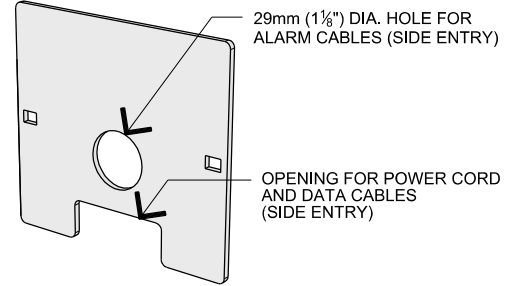


**PLAN/SECTION SAFE FLOOR**

- 1- (4) 25.4mm (1") DIA. FLOOR MOUNTING HOLES
- 2- (1) 25.4mm (1") DIA. SNAP OFF DETECTOR HOLE

**CABLE ENTRY NOTE:**

ELECTRICAL AND DATA CABLING ENTERS THE TERMINAL THROUGH A CABLE ENTRY OPENING ON THE SIDE OF THE SAFE. CABLES ENTERING THE TERMINAL PASS THROUGH THE POWER CABLE PLATE WHICH IS ATTACHED TO THE INSIDE WALL OF THE SAFE OVER THE CABLE ENTRY OPENING. CABLING CAN ENTER FROM THE SIDE OR OPTIONALLY FROM UNDER THE CASH DISPENSER. THE CABLE ENTRY OPENING IS ON THE RIGHT SIDE OF THE SAFE AS VIEWED FROM THE FRONT OF THE TERMINAL.



**POWER CABLE PLATE**

**NOTES:**

**FOR ADDED SECURITY:**

IT IS RECOMMENDED THAT THE CASH DISPENSER SAFE BE SECURED TO THE FLOOR WITH ANCHOR BOLTS. USE THE FOLLOWING GUIDELINES TO DETERMINE THE APPROPRIATE METHOD FOR YOUR INSTALLATION.

**ANCHORING THE CASH DISPENSER TO CONCRETE FLOORS:**

IT IS RECOMMENDED THAT THE CASH DISPENSER BE ANCHORED TO CONCRETE FLOORS WHENEVER POSSIBLE. DIEBOLD RECOMMENDS USING A M20 OR 19mm (3/4") ANCHOR BOLT THAT IS 203mm (8") LONG. CONCRETE FLOORS OR CONCRETE BASES MUST BE A MINIMUM OF 102mm (4") THICK FOR ANCHORING TO BE EFFECTIVE. THERE IS NO LIMIT FOR MAXIMUM THICKNESS. ANCHOR BOLTS MUST BE USED IN ALL AVAILABLE ANCHOR HOLES.